

PARTS LIST

CAUTION

- The parts identified by the \triangle symbol are important for the safety. Whenever replacing these parts, be sure to use specified ones to secure the safety .
- The parts not indicated in this Parts List and those which are filled with lines — in the Parts No. columns will not be supplied.
- P. W. Board Ass'y will not be supplied, but those which are filled with the Parts No. in the Parts No. columns will be supplied.

ABBREVIATIONS OF RESISTORS, CAPACITORS AND TOLERANCES

RESISTORS		CAPACITORS	
C R	Carbon Resistor	C CAP.	Ceramic Capacitor
F R	Fusible Resistor	E CAP.	Electrolytic Capacitor
P R	Plate Resistor	M CAP.	Mylar Capacitor
V R	Variable Resistor	HV CAP.	High Voltage Capacitor
HV R	High Voltage Resistor	MF CAP.	Metalized Film Capacitor
MF R	Metal Film Resistor	MM CAP.	Metalized Mylar Capacitor
MG R	Metal Glazed Resistor	MP CAP.	Metalized Polystyrol Capacitor
MP R	Metal Plate Resistor	PP CAP.	Polypropylene Capacitor
OM R	Metal Oxide Film Resistor	PS CAP.	Polystyrol Capacitor
CMF R	Coating Metal Film Resistor	TF CAP.	Thin Film Capacitor
UNF R	Non-Flammable Resistor	MPP CAP.	Metalized Polypropylene Capacitor
CH V R	Chip Variable Resistor	TAN. CAP.	Tantalum Capacitor
CH MG R	Chip Metal Glazed Resistor	CH C CAP.	Chip Ceramic Capacitor
COMP. R	Composition Resistor	BP E CAP.	Bi-Polar Electrolytic Capacitor
LPTC R	Linear Positive Temperature Coefficient Resistor	CH AL E CAP.	Chip Aluminum Electrolytic Capacitor
		CH AL BP CAP.	Chip Aluminum Bi-Polar Capacitor
		CH TAN. E CAP.	Chip Tantalum Electrolytic Capacitor
		CH AL BP E CAP.	Chip Tantalum Bi-Polar Electrolytic Capacitor

TOLERANCES									
F	G	J	K	M	N	R	H	Z	P
±1%	±2%	±5%	±10%	±20%	±30%	+30% -10%	+50% -10%	+80% -20%	+100% -0%

CONTENTS

C-N21102/s

■ EXPLODED VIEW PARTS LIST	26
■ EXPLODED VIEW	27
■ PRINTED WIRING BOARD PARTS LIST	
● MAIN PW BOARD ASS'Y (SFV-1069A-M2) [C-N21102/S] (With CRT SOCKET PW BOARD)	28
■ REMOTE CONTROL UNIT PARTS LIST	32
■ PACKING / PACKING PARTS LIST	33

C-N21210/s

■ EXPLODED VIEW PARTS LIST	34
■ EXPLODED VIEW	35
■ PRINTED WIRING BOARD PARTS LIST	
● MAIN PW BOARD ASS'Y (SFV-1068A-M2) [C-N21210/S] (With CRT SOCKET PW BOARD)	36
■ REMOTE CONTROL UNIT PARTS LIST	40
■ PACKING / PACKING PARTS LIST	41

AV-N21202/s

■ EXPLODED VIEW PARTS LIST	42
■ EXPLODED VIEW	43
■ PRINTED WIRING BOARD PARTS LIST	
● MAIN PW BOARD ASS'Y (SFV-1070A-M2) [AV-N21202/S] (With CRT SOCKET PW BOARD)	44
■ REMOTE CONTROL UNIT PARTS LIST	48
■ PACKING / PACKING PARTS LIST	49

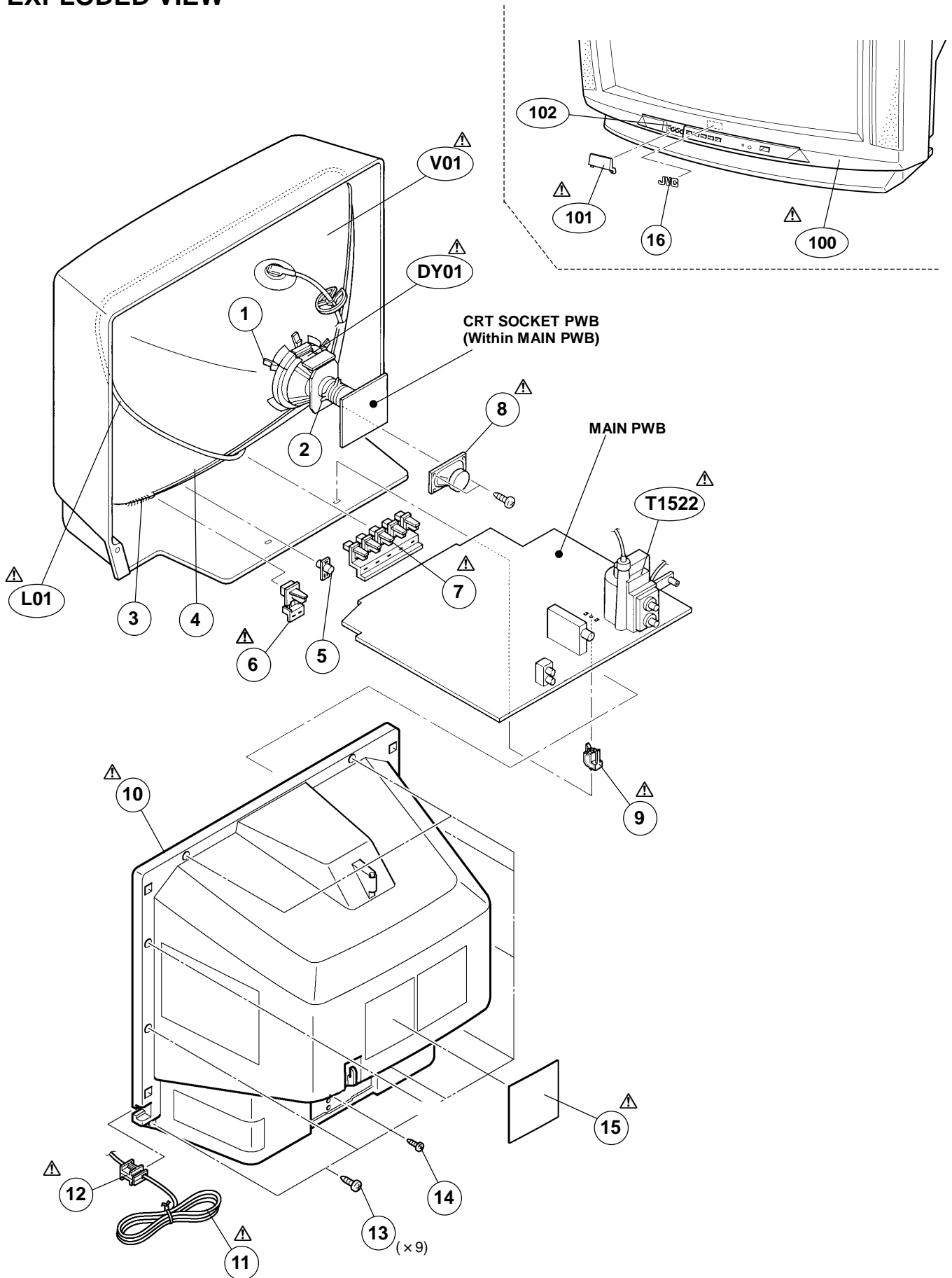
C-N21102/S

EXPLODED VIEW PARTS LIST

C-N21102/s

△ Ref.No.	Part No.	Part Name	Description
△ V01	A51KRE89X(DT)	PICTURE TUBE(C)	
△ DY01	QQD0011-001	DEF YOKE	
△ L01	QQW0002-001	DEG.COIL	
△ T1522	QQH0030-002	H.V.TRANSF.	
1	CE42153-00AJ1	WEDGE ASSY	(×4)
2	CE42378-00B	P.C.MAGNET	
3	A48457-4-S	SPRING	
4	CHGB0016-0H	BRAIDED WIRE	
5	LC30191-004A-A	REMOCON LENS	
△ 6	GQ30026-002A-A	POWER KNOB	
△ 7	GQ30025-002A-A	CONTROL KNOB	
△ 8	CEB5509D-03KJ2	SPEAKER	SP01
△ 9	CM48144-001-A	P.W.B.STOPPER	
△ 10	GQ10013-003A-A	REAR COVER	
△ 11	QMPD200-200-JC	POWER CORD	CN10PW(With MAIN PWB)
△ 12	LC20106-001D-A	CORD CLAMP	
13	QYSB5FG4016Z	TAPPING SCREW	(×9)
14	QYSB5B3010Z	TAPPING SCREW	(×1)
△ 15	GQ20001-001A-A	RATING LABEL	
16	CM43094-009-H	JVC MARK	
△ 100	GQ10020-003A-A	FRONT CABI ASSY	
△ 101	GQ30024-002A-A	DOOR	
102	GQ40016-001A-A	OPERATION SHEET	

EXPLODED VIEW



PRINTED WIRING BOARD PARTS LIST

MAIN P.W. BOARD ASS'Y (SFV-1069A-M2) [C-N21102/s]

△ Symbol No.	Part No.	Part Name	Description
RESISTOR			
R1003-04	NRSA02J-0R0X	MG R	0.0Ω 1/10W J
R1101	NRSA02J-820X	MG R	82Ω 1/10W J
R1102	NRSA02J-562X	MG R	5.6kΩ 1/10W J
R1103	NRSA02J-182X	MG R	1.8kΩ 1/10W J
R1104	QRE121J-101Y	C R	100Ω 1/2W J
R1105	NRSA02J-180X	MG R	18Ω 1/10W J
R1106	NRSA02J-270X	MG R	27Ω 1/10W J
R1131	NRSA02J-271X	MG R	270Ω 1/10W J
R1133	NRSA02J-101X	MG R	100Ω 1/10W J
R1134	NRSA02J-102X	MG R	1kΩ 1/10W J
R1135	NRSA02J-561X	MG R	560Ω 1/10W J
R1136	NRSA02J-182X	MG R	1.8kΩ 1/10W J
R1137	NRSA02J-152X	MG R	1.5kΩ 1/10W J
R1138	NRSA02J-821X	MG R	820Ω 1/10W J
R1139	NRSA02J-0R0X	MG R	0.0Ω 1/10W J
R1142	NRSA02J-101X	MG R	100Ω 1/10W J
R1145	NRSA02J-472X	MG R	4.7kΩ 1/10W J
R1146	NRSA02J-562X	MG R	5.6kΩ 1/10W J
R1161	NRSA02J-102X	MG R	1kΩ 1/10W J
R1162	NRSA02J-102X	MG R	1kΩ 1/10W J
R1164	NRSA02J-332X	MG R	3.3kΩ 1/10W J
R1165	NRSA02J-0R0X	MG R	0.0Ω 1/10W J
R1172	NRSA02J-333X	MG R	33kΩ 1/10W J
R1201	NRSA02J-0R0X	MG R	0.0Ω 1/10W J
R1203	NRSA02J-102X	MG R	1kΩ 1/10W J
R1204	NRSA02J-681X	MG R	680Ω 1/10W J
R1205	NRSA02J-152X	MG R	1.5kΩ 1/10W J
R1207	NRSA02J-0R0X	MG R	0.0Ω 1/10W J
R1208	NRSA02J-472X	MG R	4.7kΩ 1/10W J
R1209	NRSA02J-471X	MG R	470Ω 1/10W J
R1210	NRSA02J-392X	MG R	3.9kΩ 1/10W J
R1211	NRSA02J-471X	MG R	470Ω 1/10W J
R1212	NRSA02J-103X	MG R	10kΩ 1/10W J
R1215	NRSA02J-334X	MG R	330kΩ 1/10W J
R1216	NRSA02J-563X	MG R	56kΩ 1/10W J
R1218	NRSA02J-182X	MG R	1.8kΩ 1/10W J
R1219	NRSA02J-122X	MG R	1.2kΩ 1/10W J
R1220	NRSA02J-561X	MG R	560Ω 1/10W J
R1222	NRSA02J-102X	MG R	1kΩ 1/10W J
R1251	NRSA02J-750X	MG R	75Ω 1/10W J
R1252	NRSA02J-221X	MG R	220Ω 1/10W J
R1253	NRSA02J-681X	MG R	680Ω 1/10W J
R1261	NRSA02J-563X	MG R	56kΩ 1/10W J
R1262	NRSA02J-333X	MG R	33kΩ 1/10W J
R1263	NRSA02J-101X	MG R	100Ω 1/10W J
R1265	NRSA02J-102X	MG R	1kΩ 1/10W J
R1266	NRSA02J-681X	MG R	680Ω 1/10W J
R1267	NRSA02J-331X	MG R	330Ω 1/10W J
R1268	NRSA02J-101X	MG R	100Ω 1/10W J
R1271	NRSA02J-471X	MG R	470Ω 1/10W J
R1272	NRSA02J-152X	MG R	1.5kΩ 1/10W J
R1278	NRSA02J-152X	MG R	1.5kΩ 1/10W J
R1290	NRSA02J-563X	MG R	56kΩ 1/10W J
R1291	NRSA02J-473X	MG R	47kΩ 1/10W J
R1298-99	NRSA02J-0R0X	MG R	0.0Ω 1/10W J
R1305	NRSA02J-393X	MG R	39kΩ 1/10W J
R1306	NRSA02J-183X	MG R	18kΩ 1/10W J
R1351	NRSA02J-102X	MG R	1kΩ 1/10W J
R1352	NRSA02J-122X	MG R	1.2kΩ 1/10W J
R1354	NRSA02J-272X	MG R	2.7kΩ 1/10W J
R1365	NRSA02J-152X	MG R	1.5kΩ 1/10W J
R1366	NRSA02J-563X	MG R	56kΩ 1/10W J
R1367	NRSA02J-333X	MG R	33kΩ 1/10W J
R1371-73	NRSA02J-151X	MG R	150Ω 1/10W J
R1374-76	NRSA02J-331X	MG R	330Ω 1/10W J
R1377-79	NRSA02J-101X	MG R	100Ω 1/10W J

△ Symbol No.	Part No.	Part Name	Description
RESISTOR			
R1380-82	QRZ0111-152	C R	1.5kΩ 1/2W K
R1383-85	QRL029J-123	OM R	12kΩ 2W J
R1386-88	NRSA02J-272X	MG R	2.7kΩ 1/10W J
R1421	NRSA02J-472X	MG R	4.7kΩ 1/10W J
R1422	QRE121J-391Y	C R	390Ω 1/2W J
R1423	QRX01GJ-1R5	MF R	1.5Ω 1W J
R1425	NRSA02J-683X	MG R	68kΩ 1/10W J
R1427	NRSA02J-392X	MG R	3.9kΩ 1/10W J
R1428	NRSA02J-393X	MG R	39kΩ 1/10W J
R1429	NRSA02J-223X	MG R	22kΩ 1/10W J
R1430-31	NRSA02J-0R0X	MG R	0.0Ω 1/10W J
R1441	QRE121J-102Y	C R	1kΩ 1/2W J
R1501	NRSA02J-361X	MG R	360Ω 1/10W J
R1502	NRSA02J-152X	MG R	1.5kΩ 1/10W J
R1504	NRSA02J-0R0X	MG R	0.0Ω 1/10W J
R1505	NRSA02J-822X	MG R	8.2kΩ 1/10W J
R1506	NRSA02J-222X	MG R	2.2kΩ 1/10W J
R1507	NRSA02J-563X	MG R	56kΩ 1/10W J
R1511	QRE121J-391Y	C R	390Ω 1/2W J
R1521	QRE121J-220Y	C R	22Ω 1/2W J
R1522	NRSA02J-391X	MG R	390Ω 1/10W J
R1523	NRSA02J-471X	MG R	470Ω 1/10W J
R1524	QRE121J-271Y	C R	270Ω 1/2W J
R1525	QRL029J-121	OM R	120Ω 2W J
R1526	QRL039J-152	OM R	1.5kΩ 3W J
R1541	QRT029J-1R8	MF R	1.8Ω 2W J
R1542	QRL029J-101	OM R	100Ω 2W J
R1543	QRT039J-1R0	MF R	1.0Ω 3W J
R1544	QRT039J-2R2	MF R	2.2Ω 3W J
R1546	QRL029J-220	OM R	22Ω 2W J
R1561	QRK126J-4R7X	C R	4.7Ω 1/2W J
△ R1562	NRZ0032-7151X	MF R	7.15kΩ 1/10W±0.5%
△ R1563	NRZ0032-3241X	MF R	3.24kΩ 1/10W±0.5%
R1564	NRSA02J-153X	MG R	15kΩ 1/10W J
R1565	NRSA02J-0R0X	MG R	0.0Ω 1/10W J
R1566	NRSA02J-333X	MG R	33kΩ 1/10W J
R1567	NRSA02J-392X	MG R	3.9kΩ 1/10W J
R1568	NRSA02J-223X	MG R	22kΩ 1/10W J
R1571	QRX01GJ-1R2	MF R	1.2Ω 1W J
R1581	QRJ146J-2R2X	C R	2.2Ω 1/4W J
R1582	QRL029J-223	OM R	22kΩ 2W J
R1583	QRE121J-333Y	C R	33kΩ 1/2W J
R1584	QRE121J-393Y	C R	39kΩ 1/2W J
R1585	QRE121J-103Y	C R	10kΩ 1/2W J
R1586	QRE121J-472Y	C R	4.7kΩ 1/2W J
R1611	NRSA02J-153X	MG R	15kΩ 1/10W J
R1612	NRSA02J-333X	MG R	33kΩ 1/10W J
R1613	NRSA02J-272X	MG R	2.7kΩ 1/10W J
R1628	QRE121J-271Y	C R	270Ω 1/2W J
R1689	NRSA02J-102X	MG R	1kΩ 1/10W J
R1701	NRSA02J-563X	MG R	56kΩ 1/10W J
R1702	NRSA02J-103X	MG R	10kΩ 1/10W J
R1703	NRSA02J-0R0X	MG R	0.0Ω 1/10W J
R1704	NRSA02J-103X	MG R	10kΩ 1/10W J
R1705	NRSA02J-823X	MG R	82kΩ 1/10W J
R1706	NRSA02J-103X	MG R	10kΩ 1/10W J
R1707	NRSA02J-0R0X	MG R	0.0Ω 1/10W J
R1708-09	NRSA02J-103X	MG R	10kΩ 1/10W J
R1710	NRSA02J-102X	MG R	1kΩ 1/10W J
R1712	NRSA02J-0R0X	MG R	0.0Ω 1/10W J
R1713	NRSA02J-102X	MG R	1kΩ 1/10W J
R1714	NRSA02J-471X	MG R	470Ω 1/10W J
R1715	NRSA02J-105X	MG R	10Ω 1/10W J
R1716	NRSA02J-154X	MG R	150kΩ 1/10W J
R1717	NRSA02J-563X	MG R	56kΩ 1/10W J
R1719	NRSA02J-102X	MG R	1kΩ 1/10W J

△ Symbol No.	Part No.	Part Name	Description
RESISTOR			
R1721-22	NRSA02J-0R0X	MG R	0.0Ω 1/10W J
R1723	NRSA02J-105X	MG R	1MΩ 1/10W J
R1724	NRSA02J-102X	MG R	1kΩ 1/10W J
R1725	NRSA02J-103X	MG R	10kΩ 1/10W J
R1726	NRSA02J-562X	MG R	5.6kΩ 1/10W J
R1727	NRSA02J-103X	MG R	10kΩ 1/10W J
R1728	NRSA02J-562X	MG R	5.6kΩ 1/10W J
R1729	NRSA02J-153X	MG R	15kΩ 1/10W J
R1730	NRSA02J-682X	MG R	6.8kΩ 1/10W J
R1731	NRSA02J-0R0X	MG R	0.0Ω 1/10W J
R1732	NRSA02J-102X	MG R	1kΩ 1/10W J
R1734	NRSA02J-182X	MG R	1.8kΩ 1/10W J
R1735	NRSA02J-102X	MG R	1kΩ 1/10W J
R1736	NRSA02J-332X	MG R	3.3kΩ 1/10W J
R1737	NRSA02J-472X	MG R	4.7kΩ 1/10W J
R1738	NRSA02J-152X	MG R	1.5kΩ 1/10W J
R1739	NRSA02J-472X	MG R	4.7kΩ 1/10W J
R1740	NRSA02J-152X	MG R	1.5kΩ 1/10W J
R1741	NRSA02J-472X	MG R	4.7kΩ 1/10W J
R1742	NRSA02J-152X	MG R	1.5kΩ 1/10W J
R1743-44	NRSA02J-0R0X	MG R	0.0Ω 1/10W J
R1745-46	NRSA02J-561X	MG R	560Ω 1/10W J
R1747	NRSA02J-0R0X	MG R	0.0Ω 1/10W J
R1751	NRSA02J-103X	MG R	10kΩ 1/10W J
R1752	NRSA02J-472X	MG R	4.7kΩ 1/10W J
R1753	NRSA02J-153X	MG R	15kΩ 1/10W J
R1754	NRSA02J-103X	MG R	10kΩ 1/10W J
R1755	NRSA02J-472X	MG R	4.7kΩ 1/10W J
R1756	NRSA02J-153X	MG R	15kΩ 1/10W J
R1757-58	NRSA02J-122X	MG R	1.2kΩ 1/10W J
R1759	NRSA02J-0R0X	MG R	0.0Ω 1/10W J
R1765-66	NRSA02J-0R0X	MG R	0.0Ω 1/10W J
R1767	NRSA02J-474X	MG R	470kΩ 1/10W J
R1768	NRSA02J-473X	MG R	47kΩ 1/10W J
R1769	NRSA02J-102X	MG R	1kΩ 1/10W J
R1771	NRSA02J-0R0X	MG R	0.0Ω 1/10W J
R1804-06	NRSA02J-101X	MG R	100Ω 1/10W J
△ R1901	QRFO54K-1R0	UNF R	1.0Ω 5W K
△ R1921	QRX029J-2R7	MF R	2.7Ω 2W J
R1923	QRJ146J-470X	C R	47Ω 1/4W J
R1924	QRN141J-334Y	C R	330kΩ 1/4W J
R1925	QRN141J-123Y	C R	12kΩ 1/4W J
△ R1926	QRF154J-271	UNF R	270 Ω 15W J
R1952	NRSA02J-222X	MG R	2.2kΩ 1/10W J
R1953	NRSA02J-122X	MG R	1.2kΩ 1/10W J
R1954	QRE121J-102Y	C R	1kΩ 1/2W J
R1955	NRSA02J-223X	MG R	22kΩ 1/10W J
R1956	QRE121J-101Y	C R	100Ω 1/2W J
R1957	NRSA02J-222X	MG R	2.2kΩ 1/10W J
R1958	NRSA02J-103X	MG R	10kΩ 1/10W J
△ R1981	QRZ9041-275	C R	2.7MΩ 1/2W K

△ Symbol No.	Part No.	Part Name	Description
CAPACITOR			
C1001	QETN1HM-106Z	E CAP.	10μF 50V M
C1003	QETN1AM-477Z	E CAP.	470μF 10V M
C1004	QETN1HM-106Z	E CAP.	10μF 50V M
C1005	NCB21HK-103X	C CAP.	0.01μF 50V K
C1006	QETN1EM-476Z	E CAP.	47μF 25V M
C1011-12	NCB21HK-102X	C CAP.	1000pF 50V K
C1013	NCB21HK-104X	CHIP CAP.	0.1μF 50V K
C1101-04	NCB21HK-103X	C CAP.	0.01μF 50V K
C1105	QETN1CM-107Z	E CAP.	100μF 16V M
C1106	NCB21HK-103X	C CAP.	0.01μF 50V K
C1107	NRSA02J-0R0X	MG R	0.0Ω 1/10W J
C1108	NDC21HJ-680X	C CAP.	68pF 50V J
C1131	QFV71HJ-154Z	MF CAP.	0.15μF 50V J
C1132	NCB21HK-152X	C CAP.	1500pF 50V K
C1133	QETN1HM-474Z	E CAP.	0.47μF 50V M
C1134	NCB21HK-102X	C CAP.	1000pF 50V K
C1135	NCB21HK-103X	C CAP.	0.01μF 50V K

△ Symbol No.	Part No.	Part Name	Description
CAPACITOR			
C1138	QETN1EM-476Z	E CAP.	47μF 25V M
C1161	QETN1CM-107Z	E CAP.	100μF 16V M
C1162	NCB21HK-103X	C CAP.	0.01μF 50V K
C1163-64	NDC21HJ-470X	C CAP.	47pF 50V J
C1166	NCB21HK-103X	C CAP.	0.01μF 50V K
C1167	NCB21HK-392X	C CAP.	3900pF 50V K
C1168	QETN1HM-106Z	E CAP.	10μF 50V M
C1169	NCB21HK-103X	C CAP.	0.01μF 50V K
C1171	QETN1HM-105Z	E CAP.	1μF 50V M
C1172	NCB21HK-102X	C CAP.	1000pF 50V K
C1205	NDC21HJ-680X	C CAP.	68pF 50V J
C1207	QETN1HM-474Z	E CAP.	0.47μF 50V M
C1208	QETN1HM-106Z	E CAP.	10μF 50V M
C1209-10	QETN1HM-105Z	E CAP.	1μF 50V M
C1212	NCB21HK-104X	CHIP CAP.	0.1μF 50V K
C1214	QETN1HM-106Z	E CAP.	10μF 50V M
C1215	QETN1HM-105Z	E CAP.	1μF 50V M
C1217	QETN1EM-476Z	E CAP.	47μF 25V M
C1251	NCB21HK-104X	CHIP CAP.	0.1μF 50V K
C1255	QETN1HM-106Z	E CAP.	10μF 50V M
C1261	QENC1CM-476Z	BP E CAP.	47μF 16V M
C1274	QETN1HM-105Z	E CAP.	1μF 50V M
C1303	NCB21HK-103X	C CAP.	0.01μF 50V K
C1304	QETN1CM-107Z	E CAP.	100μF 16V M
C1305	NDC21HJ-100X	C CAP.	10pF 50V J
C1306	NCB21HK-223X	C CAP.	0.022μF 50V K
C1307	QETN1HM-474Z	E CAP.	0.47μF 50V M
C1309	NDC21HJ-2R0X	C CAP.	2.0pF 50V J
C1352	NDC21HJ-680X	C CAP.	68pF 50V J
C1353	NRSA63J-0R0X	MG R	0.0Ω 1/16W J
C1355	NDC21HJ-150X	C CAP.	15pF 50V J
C1356	NCB21HK-103X	C CAP.	0.01μF 50V K
C1374-75	NCS21HJ-271X	C CAP.	270pF 50V J
C1376	NCS21HJ-331X	C CAP.	330pF 50V J
C1377	QETN1CM-107Z	E CAP.	100μF 16V M
C1391	QETM2EM-336	E CAP.	33μF 250V M
△ C1392	QCZ0121-102	C CAP.	1000pF 3kV Z
△ C1401	QETN1HM-225Z	E CAP.	2.2μF 50V M
C1402	QBHC1CK-225Z	TAN. CAP.	2.2μF 16V K
C1403	NCB21HK-102X	C CAP.	1000pF 50V K
C1421	NCB21HK-103X	C CAP.	0.01μF 50V K
C1422	QCS32HJ-560Z	C CAP.	56pF 500V J
C1423	QCS32HJ-180Z	C CAP.	18pF 500V J
C1424	QETN1VM-107Z	E CAP.	100μF 35V M
C1425	QETN1VM-477Z	E CAP.	470μF 35V M
C1426	QFLC2AK-104Z	M CAP.	0.1μF 100V K
C1427	QETN1EM-228	E CAP.	2200μF 25V M
C1428	QFV21HJ-474Z	MF CAP.	0.47μF 50V J
C1429	QFV21HJ-224Z	MF CAP.	0.22μF 50V J
C1501	QETN1CM-107Z	E CAP.	100μF 16V M
C1502	QETN1HM-106Z	E CAP.	10μF 50V M
C1503	NCB21HK-103X	C CAP.	0.01μF 50V K
C1505	QETN1HM-106Z	E CAP.	10μF 50V M
C1511	QETN1EM-476Z	E CAP.	47μF 25V M
C1521	NCB21HK-332X	C CAP.	3300pF 50V K
C1522	NCB21HK-822X	C CAP.	8200pF 50V K
C1523	QEM61HK-105Z	E CAP.	1μF 50V K
△ C1524	QFZ0198-79Z	MPP CAP.	7900pF 50V J
△ C1525	QEZ0203-102	E CAP.	100μF 160V M
△ C1526	QFZ0119-534	MPP CAP.	0.53μF 200V ±3%
C1543	QETN1VM-477Z	E CAP.	470μF 35V M
C1545	QETN1CM-227Z	E CAP.	220μF 16V M
C1546	QETN1CM-477Z	E CAP.	470μF 16V M
C1548	QETN1CM-227Z	E CAP.	220μF 16V M
△ C1561	QETN1HM-106Z	E CAP.	10μF 50V M
C1562	QETN1HM-475Z	E CAP.	4.7μF 50V M
C1563	NCB21HK-103X	C CAP.	0.01μF 50V K
△ C1581	QETN2EM-106Z	E CAP.	10μF 250V M
C1582	NCB21HK-473X	C CAP.	0.047μF 50V K
C1583	QETN1HM-106Z	E CAP.	10μF 50V M
C1584	QFLC2AJ-104Z	M CAP.	0.1μF 100V J
C1601	QETN1HM-474Z	E CAP.	0.47μF 50V M

△ Symbol No.	Part No.	Part Name	Description
CAPACITOR			
C1602	QETN1CM-108Z	E CAP.	1000μF 16V M
C1603	NCB21HK-103X	C CAP.	0.01μF 50V K
C1604	QETN1CM-477Z	E CAP.	470μF 16V M
C1611	QETN1HM-105Z	E CAP.	1μF 50V M
C1691	QETN1HM-106Z	E CAP.	10μF 50V M
C1702	NCB21HK-272X	C CAP.	2700pF 50V K
C1704	NCB21HK-103X	C CAP.	0.01μF 50V K
C1705	NDC21HJ-151X	C CAP.	150pF 50V J
C1706	NCB21HK-104X	CHIP CAP.	0.1μF 50V K
C1707	QETN1HM-105Z	E CAP.	1μF 50V M
C1708	NCS21HJ-221X	C CAP.	220pF 50V J
C1709	NCS21HJ-102X	C CAP.	1000pF 50V J
C1710	NDC21HJ-681X	C CAP.	680pF 50V J
C1711	QETN1HM-474Z	E CAP.	0.47μF 50V M
C1712	NCB21HK-102X	C CAP.	1000pF 50V K
C1714	NCB21HK-103X	C CAP.	0.01μF 50V K
C1716	QETN1EM-476Z	E CAP.	47μF 25V M
C1717	NCB21HK-104X	CHIP CAP.	0.1μF 50V K
C1718	NCB21HK-103X	C CAP.	0.01μF 50V K
C1719-20	QETN1CM-107Z	E CAP.	100μF 16V M
C1721	NCB21HK-104X	CHIP CAP.	0.1μF 50V K
C1722-23	NDC21HJ-5R0X	C CAP.	5.0pF 50V J
C1724	NCB21HK-103X	C CAP.	0.01μF 50V K
C1725	QETN1AM-227Z	E CAP.	220μF 10V M
C1726	NDC21HJ-470X	C CAP.	47pF 50V J
C1735	NCB21HK-103X	C CAP.	0.01μF 50V K
C1751	QETN1EM-476Z	E CAP.	47μF 25V M
C1801-03	QENC1HM-474Z	BP E CAP.	0.47μF 50V M
△ C1901	QFZ9040-104	MF CAP.	0.1μF AC275V M
△ C1902	QFZ9040-473	MF CAP.	0.047μFAC275V M
△ C1911	QCZ9074-472	C CAP.	4700pFAC250V M
△ C1912	QCZ9074-472	C CAP.	4700pFAC250V M
△ C1913	QCZ9074-472	C CAP.	4700pFAC250V M
△ C1914	QEZO169-337	E CAP.	330μF 200V M
C1921	QEHRC2CM-335Z	E CAP.	3.3μF 160V M
C1922	QEHQ2CM-336	E CAP.	33μF 160V M
C1951	QETN1EM-227Z	E CAP.	220μF 25V M
C1953	QETN1EM-107Z	E CAP.	100μF 25V M
C1954	NCB21HK-473X	C CAP.	0.047μF 50V K
C1956	QETN1HM-106Z	E CAP.	10μF 50V M
C1958	QETN1EM-107Z	E CAP.	100μF 25V M
C1959	QETN1HM-226Z	E CAP.	22μF 50V M
△ C1981	QCZ9073-332	C CAP.	3300pFAC250V M

TRANSFORMER			
T1131	QQR0907-001	I.F. TRANSFORMER	
T1161	CEL003-109J3	S.I.F. TRANSF.	
T1521	CE41106-00CJ1	DRIVE TRANSF.	
△ T1522	QHQ0030-002	H.V. TRANSF.	
△ T1901	QQT0198-001	POWER TRANSF.	

COIL			
L1003	QQL03BJ-5R6Z	COIL	5.6μH J
L1102	QQLZ014-R22	PEAKING COIL	
L1104	QQL03BJ-680Z	COIL	68μH J
L1131	QQL03BJ-220Z	COIL	22μH J
L1161	QQL03BJ-680Z	COIL	68μH J
L1162	QQL03BJ-220Z	COIL	22μH J
L1201	QQL03BJ-330Z	COIL	33μH J
L1351	QQL03BJ-220Z	COIL	22μH J
L1391	QQL03BJ-390Z	COIL	39μH J
L1701	QQL03BJ-4R7Z	COIL	4.7μH J
L1709	QQL03BJ-100Z	COIL	10μH J

DIODE			
D1001	MTZJ33B-T2	ZENER DIODE	
D1003-04	MTZJ9.1C-T2	ZENER DIODE	
D1201	1SS133-T2	SI DIODE	
D1202	1SS133-T2	SI DIODE	
D1203	1SS133-T2	SI DIODE	

△ Symbol No.	Part No.	Part Name	Description
DIODE			
D1251	MTZJ9.1C-T2	ZENER DIODE	
D1421	1N4003-T2	SI DIODE	
D1422	MTZJ75-T2	ZENER DIODE	
D1423	1SS133-T2	SI DIODE	
D1501	MTZJ9.1C-T2	ZENER DIODE	
D1511	MTZJ3.3A-T2	ZENER DIODE	
D1541	RGP10J-5025-T3	SI DIODE	
D1542	1SR35-400A-T2	SI DIODE	
D1543	RGP10J-5025-T3	SI DIODE	
D1544	RGP10J-5025-T3	SI DIODE	
D1561	1SS81-T2	SI DIODE	
△ D1562	MA4068N/Z1/-T2	ZENER DIODE	
D1563	1SS133-T2	SI DIODE	
△ D1581	RH15-T3	SI DIODE	
D1582	RGP10J-5025-T3	SI DIODE	
D1583	MTZJ9.1C-T2	ZENER DIODE	
D1658	MTZJ9.1C-T2	ZENER DIODE	
D1703	MTZJ5.6A-T2	ZENER DIODE	
D1704	1SS133-T2	SI DIODE	
D1705	1SS133-T2	SI DIODE	
D1706	1SS133-T2	SI DIODE	
D1707	1SS133-T2	SI DIODE	
D1711	1SS133-T2	SI DIODE	
D1717-18	MTZJ9.1C-T2	ZENER DIODE	
D1751	SLR-342VR3F	L.E.D.	
D1804	MTZJ5.1B-T2	ZENER DIODE	
D1805	1SS133-T2	SI DIODE	
△ D1911	D3SB60	BRIDGE DIODE	
D1941-44	1SR35-400A-T2	SI DIODE	
D1951	MTZJ12C-T2	ZENER DIODE	
D1953	1SR35-400A-T2	SI DIODE	
D1957	1SS133-T2	SI DIODE	
D1958	1SS133-T2	SI DIODE	

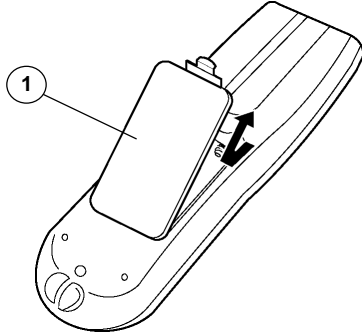
TRANSISTOR			
Q1101	2SC5083/L-P/-T	SI TRANSISTOR	
Q1131-32	2SC2412K/QR/-X	SI TRANSISTOR	
Q1161	2SC2412K/QR/-X	SI TRANSISTOR	
Q1201-03	2SC2412K/QR/-X	SI TRANSISTOR	
Q1261	2SC2412K/QR/-X	SI TRANSISTOR	
Q1262	2SA1037AK/QR/-X	SI TRANSISTOR	
Q1271	2SC2412K/QR/-X	SI TRANSISTOR	
Q1361	2SC2412K/QR/-X	SI TRANSISTOR	
Q1371-73	2SC4544-LB	SI TRANSISTOR	
Q1521	2SC2655/Y/-T	SI TRANSISTOR	
△ Q1522	2SD1878-YD	SI TRANSISTOR	H. OUT
Q1561	2SC2785/JH/-T	SI TRANSISTOR	
Q1562	2SA933AS/QR/-T	SI TRANSISTOR	
Q1601	DTC323TK-X	DIGI. TRANSISTOR	
Q1701-03	2SC2412K/QR/-X	SI TRANSISTOR	
Q1704	DTC323TK-X	DIGI. TRANSISTOR	
Q1951	2SC2412K/QR/-X	SI TRANSISTOR	
Q1952	2SA966/OY/-T	SI TRANSISTOR	
Q1953	2SC2412K/QR/-X	SI TRANSISTOR	

IC			
IC1001	AN7805F	I.C. (MONO-ANA)	
IC1201	TA1242N	I.C. (MONO-ANA)	
△ IC1421	LA7830	I.C. (MONO-ANA)	
IC1541	AN7809F	I.C. (MONO-ANA)	
△ IC1601	LA4525	I.C. (MONO-ANA)	
IC1701	M37272MA-313SP	I.C. (MICRO-COMP)	
IC1702	AT24C02-C20110	I.C.	(SERVICE)
IC1703	L78LR05E-MA	I.C. (MONO-ANA)	
IC1751	GP1U281Q	IFR DETECT UNIT	
△ IC1921	STR30134	I.C. (H)	
IC1951	TA78L009AP-T	I.C. (MONO-ANA)	

OTHERS			
CF1001	LC30190-001B-A	L.E.D. HOLDER	
CF1131	QAX0349-001	CERAMIC FILTER	
CF1161	CE41505-001	CERAMIC FILTER	
	SF5H4.5MCB	CERAMIC FILTER	

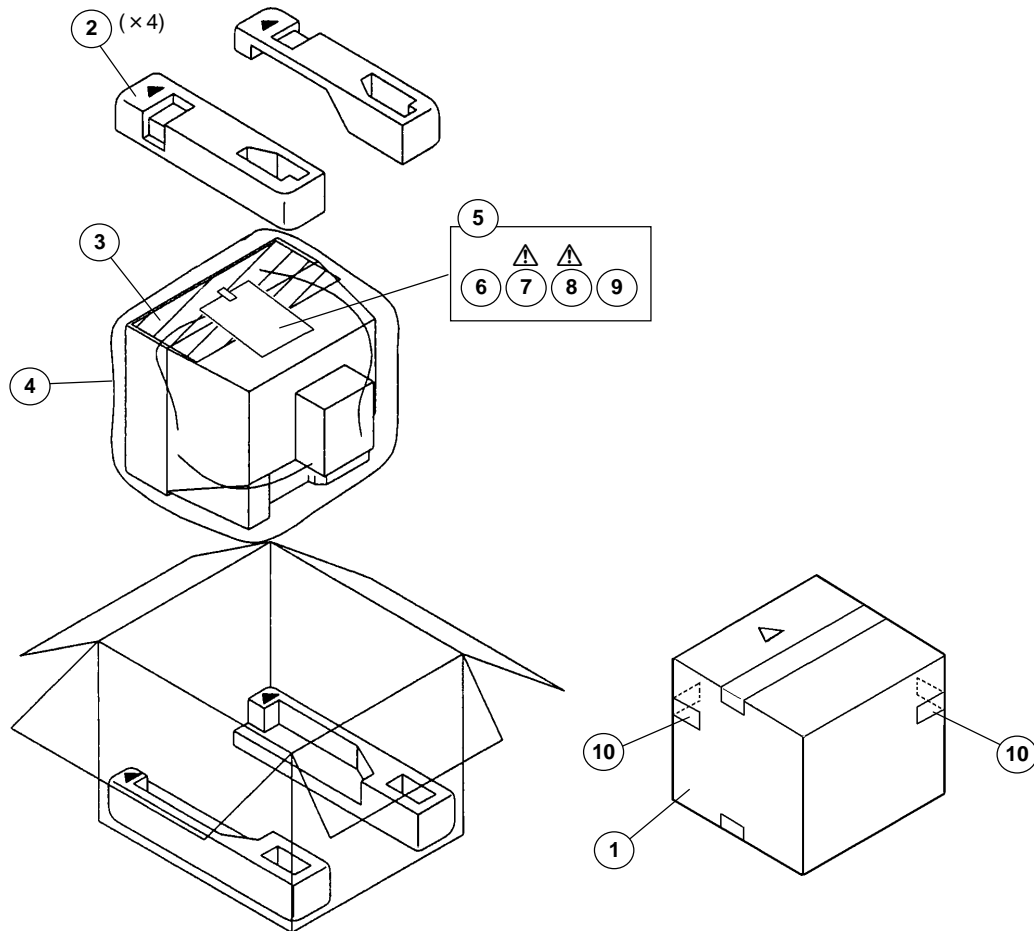
△ Symbol No.	Part No.	Part Name	Description
OTHERS			
	CF1501	CSB503F30-T2	CER. RESONATOR
	CF1701	CST8.00MTW	CER. RESONATOR
	CF1702	QAX0428-001	CER. RESONATOR
	CL1001	QZWO028-002	WIRE CLAMP
△	CN10PW	QMPD200-200-JC	POWER CORD
△	F1901	QMF0007-6R3J1	FUSE 6.3A
△	F1902	QMF0007-1R25J1	FUSE 1.25A
	FC1901	CEMG002-001Z	FUSE CLIP
	FC1902	CEMG002-001Z	FUSE CLIP
△	FR1720	QRZ9017-820	F R 82 Ω 1/4W J
	J1002	QNN0348-002	PIN JACK
	J1602	QNS0155-001	JACK
	K1701	QQR0582-001Z	BEADS CORE
△	LF1901	QQR0864-002	LINE FILTER
△	RY1901	QSK0083-001	RELAY
	S1751	QSW0619-003Z	PUSH SWITCH MENU
	S1752	QSW0619-003Z	PUSH SWITCH CH-
	S1753	QSW0619-003Z	PUSH SWITCH CH+
	S1754	QSW0619-003Z	PUSH SWITCH VOL-
	S1755	QSW0619-003Z	PUSH SWITCH VOL+
△	S1756	QSW0619-003Z	PUSH SWITCH POWER
	SF1101	CE42589-201	SAW FILTER
△	SK1371	CE42535-001J1	C. R. T. SOCKET
△	TH1901	CEKP007-002	P. THERMISTOR
△	TU1001	QAU0199-001	TUNER
△	VA1901	ERZV10V361CS	VARISTOR
	X1301	QAX0310-001Z	CRYSTAL

REMOTE CONTROL UNIT PARTS LIST (RM-C205-1C)



C-N21102/S			
△ Ref.No.	Part No.	Part Name.	Description
1	511A24001	BATTERY COVER	(RM-C205-1C)

PACKING



PACKING PARTS LIST

△ Ref.No.	Part No.	Part Name	Description
1	GQ10009-017A-A	P.CASE ASSY	
2	GQ10021-001A-A	CUSHION ASSY	4pcs in 1set
3	CP30055-001-A	TOP COVER	
4	CP30056-009-A	POLY BAG	
5	QPA02503505	POLY BAG	
6	RM-C205-1C	REMOCON UNIT	
△ 7	LCT1015-001A-A	INST BOOK	
△ 8	CM36042-00A-H	ROD ANTENNA	
9	CE42024-00BJ1	MATCHING BOX	
10	CM36616-001-A	CORNER LABEL	2pcs in 1set

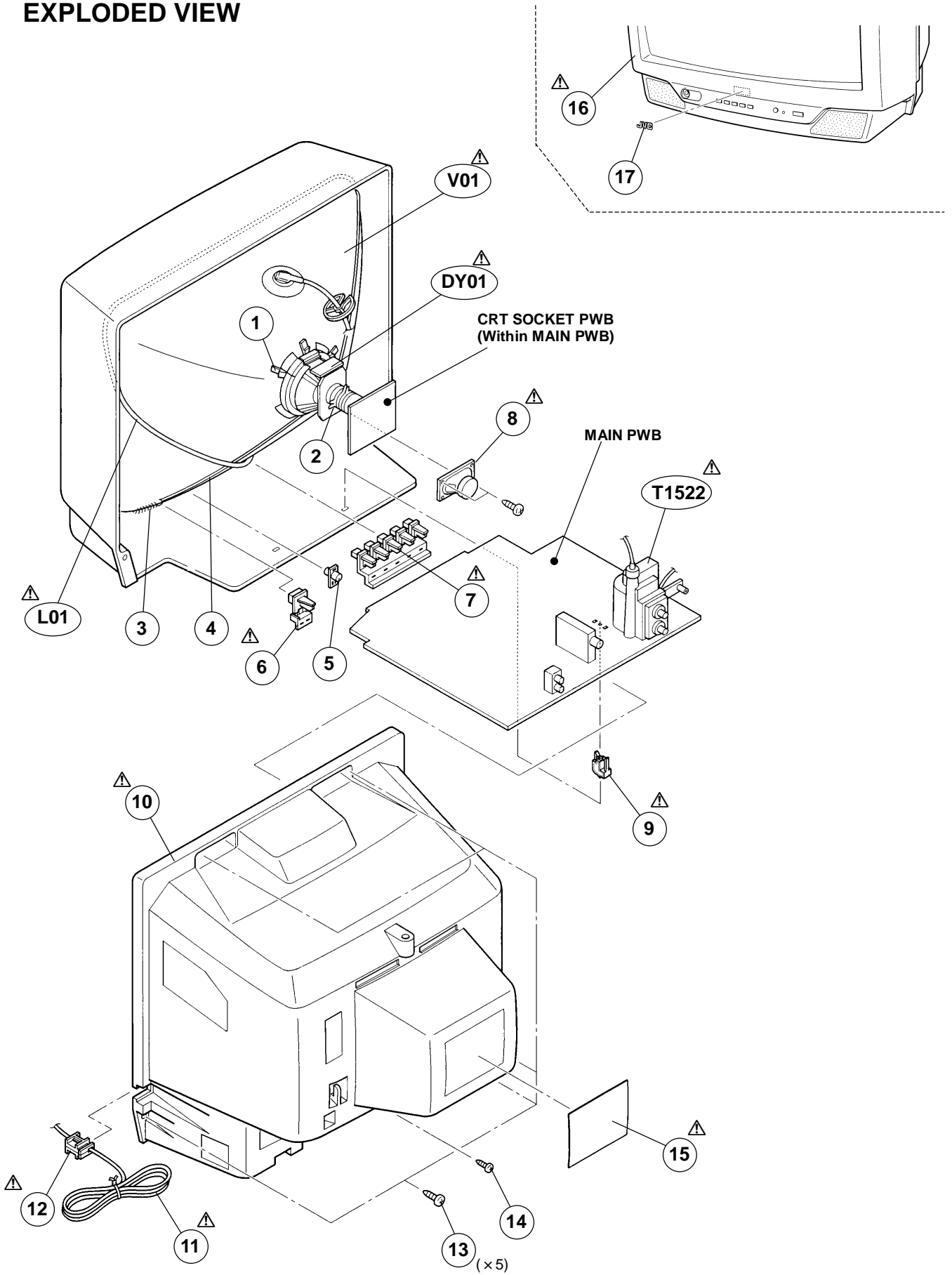
C-N21210/s

EXPLODED VIEW PARTS LIST

C-N21210/s

△ Ref.No.	Part No.	Part Name	Description
△ V01	A51KRE89X(DT)	PICTURE TUBE(C)	
△ DY01	QQD0011-001	DEF YOKE	
△ L01	QQW0002-001	DEG.COIL	
△ T1522	QQH0030-002	H.V.TRANSF.	
1	CE42153-00AJ1	WEDGE ASSY	(×4)
2	CE42378-00B	P.C.MAGNET	
3	A48457-4-S	SPRING	
4	CHGB0016-0H	BRAIDED WIRE	
5	LC30191-001C-A	LENS	
△ 6	LC30376-004A-A	POWER KNOB	
△ 7	LC30271-004A-A	PUSH KNOB	
△ 8	CEB5509D-03KJ2	SPEAKER	SP01
△ 9	CM48144-001-A	P.W.B.STOPPER	
△ 10	LC10108-002E-A	REAR COVER	
△ 11	QMPD200-200-JC	POWER CORD	CN10PW(With MAIN PWB)
△ 12	LC20106-001D-A	CORD CLAMP	
13	QYSBSFG4016Z	TAPPING SCREW	(×5)
14	QYSBSB3010Z	TAPPING SCREW	(×1)
△ 15	GQ20001-001A-A	RATING LABEL	
△ 16	LC10109-018A-A	FRONT CABINET	
17	CM43094-009-H	JVC MARK	

EXPLODED VIEW



PRINTED WIRING BOARD PARTS LIST

MAIN P.W. BOARD ASS'Y (SFV-1068A-M2) [C-N21210/s]

Symbol No.	Part No.	Part Name	Description
RESISTOR			
R1003-04	NRSA63J-0R0X	MG R	0.0Ω 1/16W J
R1101	NRSA02J-820X	MG R	82Ω 1/10W J
R1102	NRSA02J-562X	MG R	5.6kΩ 1/10W J
R1103	NRSA02J-182X	MG R	1.8kΩ 1/10W J
R1104	QRE121J-101Y	C R	100Ω 1/2W J
R1105	NRSA02J-180X	MG R	18Ω 1/10W J
R1106	NRSA02J-270X	MG R	27Ω 1/10W J
R1131	NRSA02J-271X	MG R	270Ω 1/10W J
R1133	NRSA02J-101X	MG R	100Ω 1/10W J
R1134	NRSA02J-102X	MG R	1kΩ 1/10W J
R1135	NRSA02J-561X	MG R	560Ω 1/10W J
R1136	NRSA02J-182X	MG R	1.8kΩ 1/10W J
R1137	NRSA02J-152X	MG R	1.5kΩ 1/10W J
R1138	NRSA02J-821X	MG R	820Ω 1/10W J
R1139	NRSA02J-0R0X	MG R	0.0Ω 1/10W J
R1142	NRSA02J-101X	MG R	100Ω 1/10W J
R1145	NRSA02J-472X	MG R	4.7kΩ 1/10W J
R1146	NRSA02J-562X	MG R	5.6kΩ 1/10W J
R1161	NRSA02J-102X	MG R	1kΩ 1/10W J
R1162	NRSA02J-102X	MG R	1kΩ 1/10W J
R1164	NRSA02J-332X	MG R	3.3kΩ 1/10W J
R1165	NRSA02J-0R0X	MG R	0.0Ω 1/10W J
R1172	NRSA02J-333X	MG R	33kΩ 1/10W J
R1201	NRSA02J-0R0X	MG R	0.0Ω 1/10W J
R1203	NRSA02J-102X	MG R	1kΩ 1/10W J
R1204	NRSA02J-681X	MG R	680Ω 1/10W J
R1205	NRSA02J-152X	MG R	1.5kΩ 1/10W J
R1207	NRSA02J-0R0X	MG R	0.0Ω 1/10W J
R1208	NRSA02J-472X	MG R	4.7kΩ 1/10W J
R1209	NRSA02J-471X	MG R	470Ω 1/10W J
R1210	NRSA02J-392X	MG R	3.9kΩ 1/10W J
R1211	NRSA02J-471X	MG R	470Ω 1/10W J
R1212	NRSA02J-103X	MG R	10kΩ 1/10W J
R1215	NRSA02J-334X	MG R	330kΩ 1/10W J
R1216	NRSA02J-563X	MG R	56kΩ 1/10W J
R1218	NRSA02J-182X	MG R	1.8kΩ 1/10W J
R1219	NRSA02J-122X	MG R	1.2kΩ 1/10W J
R1220	NRSA02J-561X	MG R	560Ω 1/10W J
R1222	NRSA02J-102X	MG R	1kΩ 1/10W J
R1251	NRSA02J-750X	MG R	75Ω 1/10W J
R1252	NRSA02J-221X	MG R	220Ω 1/10W J
R1253	NRSA02J-681X	MG R	680Ω 1/10W J
R1261	NRSA02J-563X	MG R	56kΩ 1/10W J
R1262	NRSA02J-333X	MG R	33kΩ 1/10W J
R1263	NRSA02J-101X	MG R	100Ω 1/10W J
R1265	NRSA02J-102X	MG R	1kΩ 1/10W J
R1266	NRSA02J-681X	MG R	680Ω 1/10W J
R1267	NRSA02J-331X	MG R	330Ω 1/10W J
R1268	NRSA02J-101X	MG R	100Ω 1/10W J
R1271	NRSA02J-471X	MG R	470Ω 1/10W J
R1272	NRSA02J-152X	MG R	1.5kΩ 1/10W J
R1278	NRSA02J-152X	MG R	1.5kΩ 1/10W J
R1290	NRSA02J-563X	MG R	56kΩ 1/10W J
R1291	NRSA02J-473X	MG R	47kΩ 1/10W J
R1298-99	NRSA02J-0R0X	MG R	0.0Ω 1/10W J
R1305	NRSA02J-393X	MG R	39kΩ 1/10W J
R1306	NRSA02J-183X	MG R	18kΩ 1/10W J
R1351	NRSA02J-102X	MG R	1kΩ 1/10W J
R1352	NRSA02J-122X	MG R	1.2kΩ 1/10W J
R1354	NRSA02J-272X	MG R	2.7kΩ 1/10W J
R1365	NRSA02J-152X	MG R	1.5kΩ 1/10W J
R1366	NRSA02J-563X	MG R	56kΩ 1/10W J
R1367	NRSA02J-333X	MG R	33kΩ 1/10W J
R1371-73	NRSA02J-151X	MG R	150Ω 1/10W J
R1374-76	NRSA02J-331X	MG R	330Ω 1/10W J
R1377-79	NRSA02J-101X	MG R	100Ω 1/10W J

Symbol No.	Part No.	Part Name	Description
RESISTOR			
R1380-82	QRZ0111-152	C R	1.5kΩ 1/2W K
R1383-85	QRL029J-123	OM R	12kΩ 2W J
R1386-88	NRSA02J-272X	MG R	2.7kΩ 1/10W J
R1421	NRSA02J-472X	MG R	4.7kΩ 1/10W J
R1422	QRE121J-391Y	C R	390Ω 1/2W J
R1423	QRX01GJ-1R5	MF R	1.5Ω 1W J
R1425	NRSA02J-683X	MG R	68kΩ 1/10W J
R1427	NRSA02J-392X	MG R	3.9kΩ 1/10W J
R1428	NRSA02J-393X	MG R	39kΩ 1/10W J
R1429	NRSA02J-223X	MG R	22kΩ 1/10W J
R1430-31	NRSA02J-0R0X	MG R	0.0Ω 1/10W J
R1441	QRE121J-102Y	C R	1kΩ 1/2W J
R1501	NRSA02J-361X	MG R	360Ω 1/10W J
R1502	NRSA02J-152X	MG R	1.5kΩ 1/10W J
R1504	NRSA02J-0R0X	MG R	0.0Ω 1/10W J
R1505	NRSA02J-822X	MG R	8.2kΩ 1/10W J
R1506	NRSA02J-222X	MG R	2.2kΩ 1/10W J
R1507	NRSA02J-563X	MG R	56kΩ 1/10W J
R1511	QRE121J-391Y	C R	390Ω 1/2W J
R1521	QRE121J-220Y	C R	22Ω 1/2W J
R1522	NRSA02J-391X	MG R	390Ω 1/10W J
R1523	NRSA02J-471X	MG R	470Ω 1/10W J
R1524	QRE121J-271Y	C R	270Ω 1/2W J
R1525	QRL029J-121	OM R	120Ω 2W J
R1526	QRL039J-152	OM R	1.5kΩ 3W J
R1541	QRT029J-1R8	MF R	1.8Ω 2W J
R1542	QRL029J-101	OM R	100Ω 2W J
R1543	QRT039J-1R0	MF R	1.0Ω 3W J
R1544	QRT039J-2R2	MF R	2.2Ω 3W J
R1546	QRL029J-220	OM R	22Ω 2W J
R1561	QRK126J-4R7X	C R	4.7Ω 1/2W J
△ R1562	NRZ0032-7151X	MF R	7.15kΩ 1/10W±0.5%
△ R1563	NRZ0032-3241X	MF R	3.24kΩ 1/10W±0.5%
R1564	NRSA02J-153X	MG R	15kΩ 1/10W J
R1565	NRSA02J-0R0X	MG R	0.0Ω 1/10W J
R1566	NRSA02J-333X	MG R	33kΩ 1/10W J
R1567	NRSA02J-392X	MG R	3.9kΩ 1/10W J
R1568	NRSA02J-223X	MG R	22kΩ 1/10W J
R1571	QRX01GJ-1R2	MF R	1.2Ω 1W J
R1581	QRJ146J-2R2X	C R	2.2Ω 1/4W J
R1582	QRL029J-223	OM R	22kΩ 2W J
R1583	QRE121J-333Y	C R	33kΩ 1/2W J
R1584	QRE121J-393Y	C R	39kΩ 1/2W J
R1585	QRE121J-103Y	C R	10kΩ 1/2W J
R1586	QRE121J-472Y	C R	4.7kΩ 1/2W J
R1611	NRSA02J-153X	MG R	15kΩ 1/10W J
R1612	NRSA02J-333X	MG R	33kΩ 1/10W J
R1613	NRSA02J-272X	MG R	2.7kΩ 1/10W J
R1628	QRE121J-271Y	C R	270Ω 1/2W J
R1689	NRSA02J-102X	MG R	1kΩ 1/10W J
R1701	NRSA02J-563X	MG R	56kΩ 1/10W J
R1702	NRSA02J-103X	MG R	10kΩ 1/10W J
R1703	NRSA02J-0R0X	MG R	0.0Ω 1/10W J
R1704	NRSA02J-103X	MG R	10kΩ 1/10W J
R1705	NRSA02J-823X	MG R	82kΩ 1/10W J
R1706	NRSA02J-103X	MG R	10kΩ 1/10W J
R1707	NRSA02J-0R0X	MG R	0.0Ω 1/10W J
R1708-09	NRSA02J-103X	MG R	10kΩ 1/10W J
R1710	NRSA02J-102X	MG R	1kΩ 1/10W J
R1712	NRSA02J-0R0X	MG R	0.0Ω 1/10W J
R1713	NRSA02J-102X	MG R	1kΩ 1/10W J
R1714	NRSA02J-471X	MG R	470Ω 1/10W J
R1715	NRSA02J-105X	MG R	10Ω 1/10W J
R1716	NRSA02J-154X	MG R	150kΩ 1/10W J
R1717	NRSA02J-563X	MG R	56kΩ 1/10W J
R1719	NRSA02J-102X	MG R	1kΩ 1/10W J

Symbol No.	Part No.	Part Name	Description
RESISTOR			
R1721-22	NRSA02J-0R0X	MG R	0.0Ω 1/10W J
R1723	NRSA02J-105X	MG R	1MΩ 1/10W J
R1724	NRSA02J-102X	MG R	1kΩ 1/10W J
R1725	NRSA02J-103X	MG R	10kΩ 1/10W J
R1726	NRSA02J-562X	MG R	5.6kΩ 1/10W J
R1727	NRSA02J-103X	MG R	10kΩ 1/10W J
R1728	NRSA02J-562X	MG R	5.6kΩ 1/10W J
R1729	NRSA02J-153X	MG R	15kΩ 1/10W J
R1730	NRSA02J-682X	MG R	6.8kΩ 1/10W J
R1731	NRSA02J-0R0X	MG R	0.0Ω 1/10W J
R1732	NRSA02J-102X	MG R	1kΩ 1/10W J
R1734	NRSA02J-182X	MG R	1.8kΩ 1/10W J
R1735	NRSA02J-102X	MG R	1kΩ 1/10W J
R1736	NRSA02J-332X	MG R	3.3kΩ 1/10W J
R1737	NRSA02J-472X	MG R	4.7kΩ 1/10W J
R1738	NRSA02J-152X	MG R	1.5kΩ 1/10W J
R1739	NRSA02J-472X	MG R	4.7kΩ 1/10W J
R1740	NRSA02J-152X	MG R	1.5kΩ 1/10W J
R1741	NRSA02J-472X	MG R	4.7kΩ 1/10W J
R1742	NRSA02J-152X	MG R	1.5kΩ 1/10W J
R1743-44	NRSA02J-0R0X	MG R	0.0Ω 1/10W J
R1745-46	NRSA02J-561X	MG R	560Ω 1/10W J
R1747	NRSA02J-0R0X	MG R	0.0Ω 1/10W J
R1751	NRSA02J-103X	MG R	10kΩ 1/10W J
R1752	NRSA02J-472X	MG R	4.7kΩ 1/10W J
R1753	NRSA02J-153X	MG R	15kΩ 1/10W J
R1754	NRSA02J-103X	MG R	10kΩ 1/10W J
R1755	NRSA02J-472X	MG R	4.7kΩ 1/10W J
R1756	NRSA02J-153X	MG R	15kΩ 1/10W J
R1757-58	NRSA02J-122X	MG R	1.2kΩ 1/10W J
R1759	NRSA02J-0R0X	MG R	0.0Ω 1/10W J
R1765-66	NRSA02J-0R0X	MG R	0.0Ω 1/10W J
R1767	NRSA02J-474X	MG R	470kΩ 1/10W J
R1768	NRSA02J-473X	MG R	47kΩ 1/10W J
R1769	NRSA02J-102X	MG R	1kΩ 1/10W J
R1771	NRSA02J-0R0X	MG R	0.0Ω 1/10W J
R1804-06	NRSA02J-101X	MG R	100Ω 1/10W J
△ R1901	QRF054K-1R0	UNF R	1.0Ω 5W K
△ R1921	QRX029J-2R7	MF R	2.7Ω 2W J
R1923	QRJ146J-470X	C R	47Ω 1/4W J
R1924	QRN141J-334Y	C R	330kΩ 1/4W J
R1925	QRN141J-123Y	C R	12kΩ 1/4W J
△ R1926	QRF154J-271	UNF R	270 Ω 15W J
R1952	NRSA02J-222X	MG R	2.2kΩ 1/10W J
R1953	NRSA02J-122X	MG R	1.2kΩ 1/10W J
R1954	QRE121J-102Y	C R	1kΩ 1/2W J
R1955	NRSA02J-223X	MG R	22kΩ 1/10W J
R1956	QRE121J-101Y	C R	100Ω 1/2W J
R1957	NRSA02J-222X	MG R	2.2kΩ 1/10W J
R1958	NRSA02J-103X	MG R	10kΩ 1/10W J
△ R1981	QRZ9041-275	C R	2.7MΩ 1/2W K

Symbol No.	Part No.	Part Name	Description
CAPACITOR			
C1001	QETN1HM-106Z	E CAP.	10μF 50V M
C1003	QETN1AM-477Z	E CAP.	470μF 10V M
C1004	QETN1HM-106Z	E CAP.	10μF 50V M
C1005	NCB21HK-103X	C CAP.	0.01μF 50V K
C1006	QETN1EM-476Z	E CAP.	47μF 25V M
C1011-12	NCB21HK-102X	C CAP.	1000pF 50V K
C1013	NCB21HK-104X	CHIP CAP.	0.1μF 50V K
C1101-04	NCB21HK-103X	C CAP.	0.01μF 50V K
C1105	QETN1CM-107Z	E CAP.	100μF 16V M
C1106	NCB21HK-103X	C CAP.	0.01μF 50V K
C1107	NRSA02J-0R0X	MG R	0.0Ω 1/10W J
C1108	NDC21HJ-680X	C CAP.	68pF 50V J
C1131	QFV71HJ-154Z	MF CAP.	0.15μF 50V J
C1132	NCB21HK-152X	C CAP.	1500pF 50V K
C1133	QETN1HM-474Z	E CAP.	0.47μF 50V M
C1134	NCB21HK-102X	C CAP.	1000pF 50V K

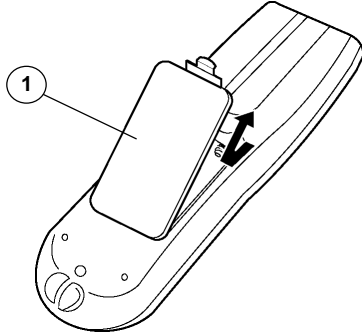
Symbol No.	Part No.	Part Name	Description
CAPACITOR			
C1135	NCB21HK-103X	C CAP.	0.01μF 50V K
C1138	QETN1EM-476Z	E CAP.	47μF 25V M
C1161	QETN1CM-107Z	E CAP.	100μF 16V M
C1162	NCB21HK-103X	C CAP.	0.01μF 50V K
C1163-64	NDC21HJ-470X	C CAP.	47pF 50V J
C1166	NCB21HK-103X	C CAP.	0.01μF 50V K
C1167	NCB21HK-392X	C CAP.	3900pF 50V K
C1168	QETN1HM-106Z	E CAP.	10μF 50V M
C1169	NCB21HK-103X	C CAP.	0.01μF 50V K
C1171	QETN1HM-105Z	E CAP.	1μF 50V M
C1172	NCB21HK-102X	C CAP.	1000pF 50V K
C1205	NDC21HJ-680X	C CAP.	68pF 50V J
C1207	QETN1HM-474Z	E CAP.	0.47μF 50V M
C1208	QETN1HM-106Z	E CAP.	10μF 50V M
C1209-10	QETN1HM-105Z	E CAP.	1μF 50V M
C1212	NCB21HK-104X	CHIP CAP.	0.1μF 50V K
C1214	QETN1HM-106Z	E CAP.	10μF 50V M
C1215	QETN1HM-105Z	E CAP.	1μF 50V M
C1217	QETN1EM-476Z	E CAP.	47μF 25V M
C1251	NCB21HK-104X	CHIP CAP.	0.1μF 50V K
C1255	QETN1HM-106Z	E CAP.	10μF 50V M
C1261	QENC1CM-476Z	BP E CAP.	47μF 16V M
C1274	QETN1HM-105Z	E CAP.	1μF 50V M
C1303	NCB21HK-103X	C CAP.	0.01μF 50V K
C1304	QETN1CM-107Z	E CAP.	100μF 16V M
C1305	NDC21HJ-100X	C CAP.	10pF 50V J
C1306	NCB21HK-223X	C CAP.	0.022μF 50V K
C1307	QETN1HM-474Z	E CAP.	0.47μF 50V M
C1309	NDC21HJ-2R0X	C CAP.	2.0pF 50V J
C1352	NDC21HJ-680X	C CAP.	68pF 50V J
C1353	NRSA02J-0R0X	MG R	0.0Ω 1/10W J
C1355	NDC21HJ-150X	C CAP.	15pF 50V J
C1356	NCB21HK-103X	C CAP.	0.01μF 50V K
C1374-75	NCS21HJ-271X	C CAP.	270pF 50V J
C1376	NCS21HJ-331X	C CAP.	330pF 50V J
C1377	QETN1CM-107Z	E CAP.	100μF 16V M
C1391	QETN2EM-336	E CAP.	33μF 250V M
△ C1392	QCZ0121-102	E CAP.	1000pF 3kV Z
C1401	QETN1HM-225Z	E CAP.	2.2μF 50V M
C1402	QBHC1CK-225Z	TAN. CAP.	2.2μF 16V K
C1403	NCB21HK-102X	C CAP.	1000pF 50V K
C1421	NCB21HK-103X	C CAP.	0.01μF 50V K
C1422	QCS32HJ-560Z	C CAP.	56pF 500V J
C1423	QCS32HJ-180Z	C CAP.	18pF 500V J
C1424	QETN1VM-107Z	E CAP.	100μF 35V M
C1425	QETN1VM-477Z	E CAP.	470μF 35V M
C1426	QFLC2AK-104Z	M CAP.	0.1μF 100V K
C1427	QETN1EM-228	E CAP.	2200μF 25V M
C1428	QFV21HJ-474Z	MF CAP.	0.47μF 50V J
C1429	QFV21HJ-224Z	MF CAP.	0.22μF 50V J
C1501	QETN1CM-107Z	E CAP.	100μF 16V M
C1502	QETN1HM-106Z	E CAP.	10μF 50V M
C1503	NCB21HK-103X	C CAP.	0.01μF 50V K
C1505	QETN1HM-106Z	E CAP.	10μF 50V M
C1511	QETN1EM-476Z	E CAP.	47μF 25V M
C1521	NCB21HK-332X	C CAP.	3300pF 50V K
C1522	NCB21HK-822X	C CAP.	8200pF 50V K
C1523	QEM61HK-105Z	E CAP.	1μF 50V K
△ C1524	QFZ0198-79Z	MPP CAP.	7900pF 50V J
△ C1525	QEZ0203-107	E CAP.	100μF 160V M
△ C1526	QFZ0119-534	MPP CAP.	0.53μF 200V ±3%
C1543	QETN1VM-477Z	E CAP.	470μF 35V M
C1545	QETN1CM-227Z	E CAP.	220μF 16V M
C1546	QETN1CM-477Z	E CAP.	470μF 16V M
C1548	QETN1CM-227Z	E CAP.	220μF 16V M
△ C1561	QETN1HM-106Z	E CAP.	10μF 50V M
△ C1562	QETN1HM-475Z	E CAP.	4.7μF 50V M
C1563	NCB21HK-103X	C CAP.	0.01μF 50V K
△ C1581	QETN2EM-106Z	E CAP.	10μF 250V M
C1582	NCB21HK-473X	C CAP.	0.047μF 50V K
C1583	QETN1HM-106Z	E CAP.	10μF 50V M

Symbol No.	Part No.	Part Name	Description
CAPACITOR			
C1584	QFLC2AJ-104Z	M CAP.	0.1μF 100V J
C1601	QETN1HM-474Z	E CAP.	0.47μF 50V M
C1602	QETN1CM-108Z	E CAP.	1000μF 16V M
C1603	NCB21HK-103X	C CAP.	0.01μF 50V K
C1604	QETN1CM-477Z	E CAP.	470μF 16V M
C1611	QETN1HM-105Z	E CAP.	1μF 50V M
C1691	QETN1HM-106Z	E CAP.	10μF 50V M
C1702	NCB21HK-272X	C CAP.	2700pF 50V K
C1704	NCB21HK-103X	C CAP.	0.01μF 50V K
C1705	NDC21HJ-151X	C CAP.	150pF 50V J
C1706	NCB21HK-104X	CHIP CAP.	0.1μF 50V K
C1707	QETN1HM-105Z	E CAP.	1μF 50V M
C1708	NCS21HJ-221X	C CAP.	220pF 50V J
C1709	NCS21HJ-102X	C CAP.	1000pF 50V J
C1710	NDC21HJ-681X	C CAP.	680pF 50V J
C1711	QETN1HM-474Z	E CAP.	0.47μF 50V M
C1712	NCB21HK-102X	C CAP.	1000pF 50V K
C1714	NCB21HK-103X	C CAP.	0.01μF 50V K
C1716	QETN1EM-476Z	E CAP.	47μF 25V M
C1717	NCB21HK-104X	CHIP CAP.	0.1μF 50V K
C1718	NCB21HK-103X	C CAP.	0.01μF 50V K
C1719-20	QETN1CM-107Z	E CAP.	100μF 16V M
C1721	NCB21HK-104X	CHIP CAP.	0.1μF 50V K
C1722-23	NDC21HJ-5R0X	C CAP.	5.0pF 50V J
C1724	NCB21HK-103X	C CAP.	0.01μF 50V K
C1725	QETN1AM-227Z	E CAP.	220μF 10V M
C1726	NDC21HJ-470X	C CAP.	470pF 50V J
C1735	NCB21HK-103X	C CAP.	0.01μF 50V K
C1751	QETN1EM-476Z	E CAP.	47μF 25V M
Δ C1801-03	QENC1HM-474Z	BP E CAP.	0.47μF 50V M
Δ C1901	QFZ9040-104	MF CAP.	0.1μF AC275V M
Δ C1902	QFZ9040-473	MF CAP.	0.047μFAC275V M
Δ C1911	QCZ9074-472	C CAP.	4700pFAC250V M
Δ C1912	QCZ9074-472	C CAP.	4700pFAC250V M
Δ C1913	QCZ9074-472	C CAP.	4700pFAC250V M
Δ C1914	QEZ0169-337	E CAP.	330μF 200V M
C1921	QEHQ2CM-335Z	E CAP.	3.3μF 160V M
C1922	QEHQ2CM-336	E CAP.	33μF 160V M
C1951	QETN1EM-227Z	E CAP.	220μF 25V M
C1953	QETN1EM-107Z	E CAP.	100μF 25V M
C1954	NCB21HK-473X	C CAP.	0.047μF 50V K
C1956	QETN1HM-106Z	E CAP.	10μF 50V M
C1958	QETN1EM-107Z	E CAP.	100μF 25V M
C1959	QETN1HM-226Z	E CAP.	22μF 50V M
Δ C1981	QCZ9073-332	C CAP.	3300pFAC250V M
TRANSFORMER			
T1131	QQR0907-001	I. F. TRANSFORMER	
T1161	CEL7003-109J3	S. I. F. TRANSF.	
Δ T1521	CE41106-00CJ1	DRIVE TRANSF.	
Δ T1522	QQH0030-002	H. V. TRANSF.	
Δ T1901	QQT0198-001	POWER TRANSF.	
COIL			
L1003	QQL03BJ-5R6Z	COIL	5.6μH J
L1102	QQLZ014-R22	PEAKING COIL	
L1104	QQL03BJ-680Z	COIL	68μH J
L1131	QQL03BJ-220Z	COIL	22μH J
L1161	QQL03BJ-680Z	COIL	68μH J
L1162	QQL03BJ-220Z	COIL	22μH J
L1201	QQL03BJ-330Z	COIL	33μH J
L1351	QQL03BJ-220Z	COIL	22μH J
L1391	QQL03BJ-390Z	COIL	39μH J
L1701	QQL03BJ-4R7Z	COIL	4.7μH J
L1709	QQL03BJ-100Z	COIL	10μH J
DIODE			
D1001	MTZJ33B-T2	ZENER DIODE	
D1003-04	MTZJ9.1C-T2	ZENER DIODE	

Symbol No.	Part No.	Part Name	Description
DIODE			
D1201	1SS133-T2	SI. DIODE	
D1202	1SS133-T2	SI. DIODE	
D1203	1SS133-T2	SI. DIODE	
D1251	MTZJ9.1C-T2	ZENER DIODE	
D1421	1N4003-T2	SI. DIODE	
D1422	MTZJ75-T2	ZENER DIODE	
D1423	1SS133-T2	SI. DIODE	
D1501	MTZJ9.1C-T2	ZENER DIODE	
D1511	MTZJ3.3A-T2	ZENER DIODE	
D1541	RGP10J-5025-T3	SI. DIODE	
D1542	1SR35-400A-T2	SI. DIODE	
D1543	RGP10J-5025-T3	SI. DIODE	
D1544	RGP10J-5025-T3	SI. DIODE	
D1561	1SS81-T2	SI. DIODE	
Δ D1562	MA4068M/Z1/-T2	ZENER DIODE	
D1563	1SS133-T2	SI. DIODE	
Δ D1581	RH15-T3	SI. DIODE	
D1582	RGP10J-5025-T3	SI. DIODE	
D1583	MTZJ9.1C-T2	ZENER DIODE	
D1658	MTZJ9.1C-T2	ZENER DIODE	
D1703	MTZJ5.6A-T2	ZENER DIODE	
D1704	1SS133-T2	SI. DIODE	
D1705	1SS133-T2	SI. DIODE	
D1706	1SS133-T2	SI. DIODE	
D1707	1SS133-T2	SI. DIODE	
D1711	1SS133-T2	SI. DIODE	
D1717-18	MTZJ9.1C-T2	ZENER DIODE	
D1751	SLR-342VR3F	L. E. D.	
D1804	MTZJ5.1B-T2	ZENER DIODE	
D1805	1SS133-T2	SI. DIODE	
Δ D1911	D35B60	BRIDGE DIODE	
D1941-44	1SR35-400A-T2	SI. DIODE	
D1951	MTZJ12C-T2	ZENER DIODE	
D1953	1SR35-400A-T2	SI. DIODE	
D1957	1SS133-T2	SI. DIODE	
D1958	1SS133-T2	SI. DIODE	
TRANSISTOR			
Q1101	2SC5083/L-P/-T	SI. TRANSISTOR	
Q1131-32	2SC2412K/QR/-X	SI. TRANSISTOR	
Q1161	2SC2412K/QR/-X	SI. TRANSISTOR	
Q1201-03	2SC2412K/QR/-X	SI. TRANSISTOR	
Q1261	2SC2412K/QR/-X	SI. TRANSISTOR	
Q1262	2SA1037AK/QR/-X	SI. TRANSISTOR	
Q1271	2SC2412K/QR/-X	SI. TRANSISTOR	
Q1361	2SC2412K/QR/-X	SI. TRANSISTOR	
Q1371-73	2SC4544-LB	SI. TRANSISTOR	
Q1521	2SC2655/Y/-T	SI. TRANSISTOR	
Δ Q1522	2SD1878-YD	SI. TRANSISTOR	
Q1561	2SC2785/JH/-T	SI. TRANSISTOR	
Q1562	2SA933AS/QR/-T	SI. TRANSISTOR	
Q1601	DTC323TK-X	DIGI. TRANSISTOR	
Q1701-03	2SC2412K/QR/-X	SI. TRANSISTOR	
Q1704	DTC323TK-X	DIGI. TRANSISTOR	
Q1951	2SC2412K/QR/-X	SI. TRANSISTOR	
Q1952	2SA966/OY/-T	SI. TRANSISTOR	
Q1953	2SC2412K/QR/-X	SI. TRANSISTOR	
IC			
IC1001	AN7805F	I. C. (MONO-ANA)	
IC1201	TA1242N	I. C. (MONO-ANA)	
Δ IC1421	LA7830	I. C. (MONO-ANA)	
IC1541	AN7809F	I. C. (MONO-ANA)	
Δ IC1601	LA4525	I. C. (MONO-ANA)	
IC1701	M37272MA-313SP	I. C. (MICRO-COMP)	
IC1702	AT24C02-C20110	I. C.	(SERVICE)
IC1703	L78LR05E-MA	I. C. (MONO-ANA)	
IC1751	GP1U281Q	IFR DETECT UNIT	
Δ IC1921	STR30134	I. C. (H)	
IC1951	TA78L009AP-T	I. C. (MONO-ANA)	

△ Symbol No.	Part No.	Part Name	Description
OTHERS			
	LC30190-001B-A	L. E. D. HOLDER	
CF1001	QAX0349-001	CERAMIC FILTER	
CF1131	CE41505-001	CERAMIC FILTER	
CF1161	SFSH4.5MCB	CERAMIC FILTER	
CF1501	CSB503F30-T2	CER. RESONATOR	
CF1701	CST8.00MTW	CER. RESONATOR	
CF1702	QAX0428-001	CER. RESONATOR	
CL1001	QZW0028-002	WIRE CLAMP	
	CL1003	QZW0028-001	WIRE CLAMP
△ CN10PW	QMPD200-200-JC	POWER CORD	
△ F1901	QMF0007-6R3J1	FUSE	6.3A
△ F1902	QMF0007-1R25J1	FUSE	1.25A
FC1901	CEMG002-001Z	FUSE CLIP	
FC1902	CEMG002-001Z	FUSE CLIP	
△ FR1720	QRZ9017-820	F R	82 Ω 1/4W J
J1002	QNN0348-002	PIN JACK	
J1602	QNS0155-001	JACK	
K1701	QQR0582-001Z	BEADS CORE	
S1751	QSW0619-003Z	PUSH SWITCH	MENU
S1752	QSW0619-003Z	PUSH SWITCH	CH-
S1753	QSW0619-003Z	PUSH SWITCH	CH+
S1754	QSW0619-003Z	PUSH SWITCH	VOL-
S1755	QSW0619-003Z	PUSH SWITCH	VOL+
△ S1756	QSW0619-003Z	PUSH SWITCH	POWER
△ SF1101	CE42589-201	SAW FILTER	
△ SK1371	CE42535-001J1	C.R.T. SOCKET	
△ RY1901	QSK0083-001	RELAY	
△ VA1901	ERZV10V361CS	VARIATOR	
X1301	QAX0310-001Z	CRYSTAL	
△ LF1901	QQR0864-002	LINE FILTER	
△ TH1901	CEKP007-002	P.THERMISTOR	
△ TU1001	QAU0199-001	TUNER	

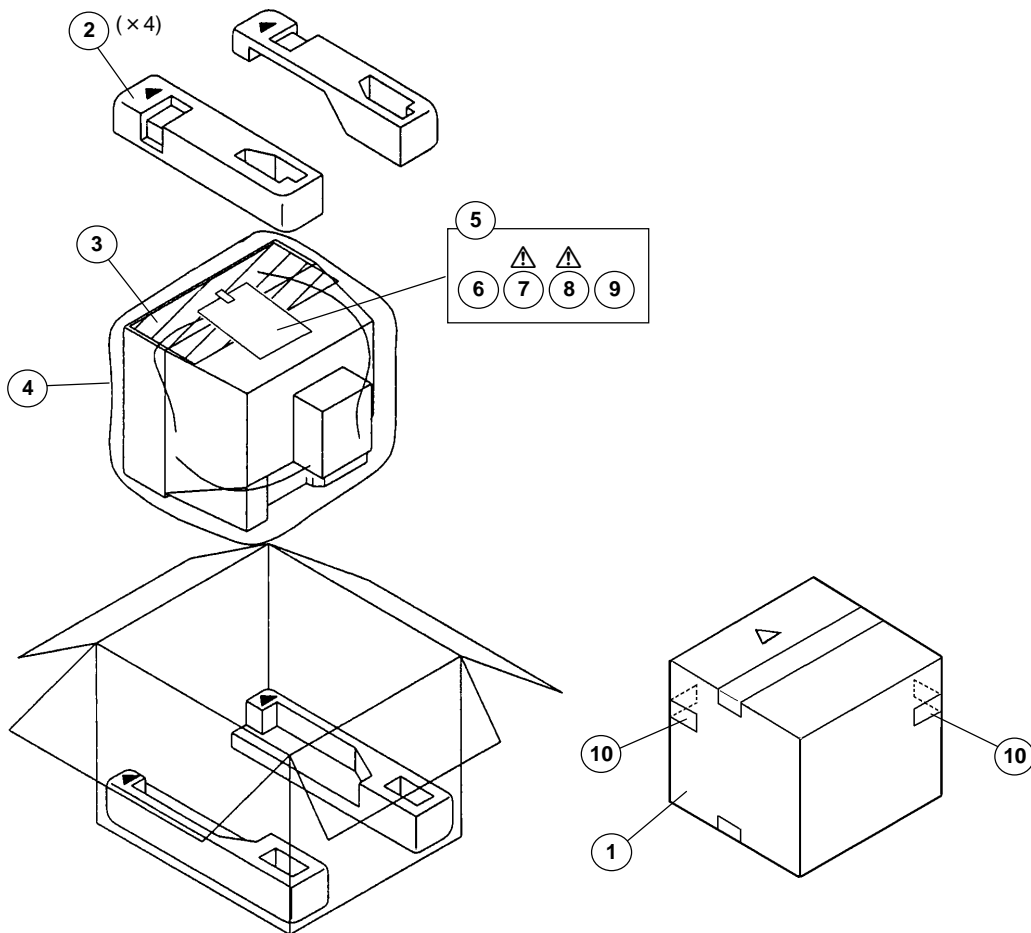
REMOTE CONTROL UNIT PARTS LIST (RM-C205-1C)



C-N21210/s

△ Ref.No.	Part No.	Part Name.	Description
1	511A24001	BATTERY COVER	(RM-C205-1C)

PACKING



PACKING PARTS LIST

△ Ref.No.	Part No.	Part Name	Description
1	LC10181-016A-A	P.CASE ASSY	4pcs in 1set
2	LC10116-002A-A	CUSHION ASSY	
3	CP30055-001-A	TOP COVER	
4	CP30056-009-A	POLY BAG	
5	QPA02503505	POLY BAG	
△ 6	RM-C205-1C	REMOCON UNIT	2pcs in 1set
△ 7	LCT1015-001A-A	INST BOOK	
△ 8	CM36042-00A-H	ROD ANTENNA	
9	CE42024-00BJ1	MATCHING BOX	2pcs in 1set
10	CM36616-001-A	CORNER LABEL	

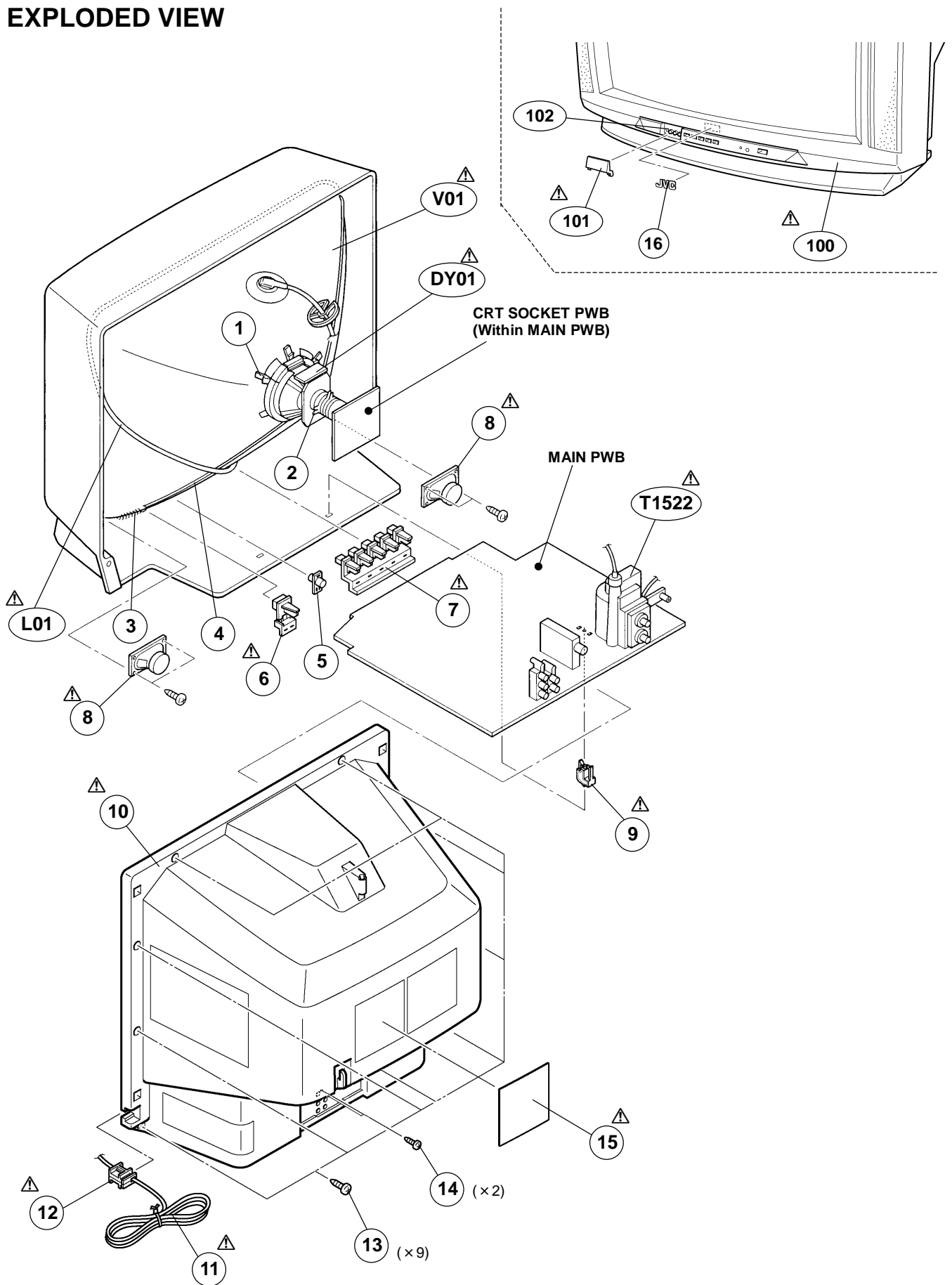
AV-N21202/s

EXPLODED VIEW PARTS LIST

AV-N21202/s

△ Ref.No.	Part No.	Part Name	Description
△ V01	A51KRE89X(DT)	PICTURE TUBE(C)	
△ L01	QQW0002-001	DEG.COIL	
△ DY01	QQD0011-001	DEF YOKE	
△ T1522	QQH0030-002	H.V.TRANSF.	
△ 1	CE42153-00AJ1	WEDGE ASSY	(×4)
△ 2	CE42378-00B	P.C.MAGNET	
△ 3	A48457-4-S	SPRING	
△ 4	CHGB0016-0H	BRAIDED WIRE	
△ 5	LC30191-004A-A	REMOCON LENS	
△ 6	GQ30026-002A-A	POWER KNOB	
△ 7	GQ30025-002A-A	CONTROL KNOB	
△ 8	CEB5S09D-03KJ2	SPEAKER	(×2)SP01,SP02
△ 9	CM48144-001-A	P.W.B. STOPPER	
△ 10	GQ10013-002A-A	REAR COVER	
△ 11	QMPD200-200-JC	POWER CORD	CN10PW(With MAIN PWB)
△ 12	LC20106-001D-A	CORD CLAMP	
△ 13	QYSBSFG4016Z	TAPPING SCREW	(×9)
△ 14	QYSBSB3010Z	TAPPING SCREW	(×2)
△ 15	GQ20001-001A-A	RATING LABEL	
△ 16	CM43094-009-H	JVC MARK	
△ 100	GQ10020-002A-A	FRONT CABI ASSY	
△ 101	GQ30024-002A-A	DOOR	
△ 102	GQ40016-002A-A	OPERATION SHEET	

EXPLODED VIEW



PRINTED WIRING BOARD PARTS LIST

MAIN P.W. BOARD ASS'Y (SFV-1070A-M2) [AV-N21202/s]

△ Symbol No.	Part No.	Part Name	Description
RESISTOR			
R1003-04	NRSA63J-0ROX	MG R	0.0Ω 1/16W J
R1101	NRSA63J-820X	MG R	82Ω 1/16W J
R1102	NRSA63J-562X	MG R	5.6kΩ 1/16W J
R1103	NRSA63J-182X	MG R	1.8kΩ 1/16W J
R1104	QRE121J-101Y	C R	100Ω 1/2W J
R1105	NRSA63J-180X	MG R	18Ω 1/16W J
R1106	NRSA63J-270X	MG R	27Ω 1/16W J
R1131	NRSA63J-271X	MG R	270Ω 1/16W J
R1133	NRSA63J-101X	MG R	100Ω 1/16W J
R1134	NRSA63J-102X	MG R	1kΩ 1/16W J
R1135	NRSA63J-561X	MG R	560Ω 1/16W J
R1136	NRSA63J-821X	MG R	820Ω 1/16W J
R1137	NRSA63J-152X	MG R	1.5kΩ 1/16W J
R1138	NRSA63J-821X	MG R	820Ω 1/16W J
R1139	NRSA63J-0ROX	MG R	0.0Ω 1/16W J
R1142	NRSA63J-101X	MG R	100Ω 1/16W J
R1145	NRSA63J-472X	MG R	4.7kΩ 1/16W J
R1146	NRSA63J-562X	MG R	5.6kΩ 1/16W J
R1161-62	NRSA63J-102X	MG R	1kΩ 1/16W J
R1163	NRSA63J-472X	MG R	4.7kΩ 1/16W J
R1164	NRSA63J-332X	MG R	3.3kΩ 1/16W J
R1165	NRSA63J-0ROX	MG R	0.0Ω 1/16W J
R1201	NRSA63J-0ROX	MG R	0.0Ω 1/16W J
R1204	NRSA63J-0ROX	MG R	0.0Ω 1/16W J
R1205	NRSA63J-152X	MG R	1.5kΩ 1/16W J
R1207	NRSA63J-0ROX	MG R	0.0Ω 1/16W J
R1208	NRSA63J-472X	MG R	4.7kΩ 1/16W J
R1209	NRSA63J-471X	MG R	470Ω 1/16W J
R1210	NRSA63J-392X	MG R	3.9kΩ 1/16W J
R1211	NRSA63J-471X	MG R	470Ω 1/16W J
R1212	NRSA63J-103X	MG R	10kΩ 1/16W J
R1213	NRSA63J-391X	MG R	390Ω 1/16W J
R1215	NRSA63J-334X	MG R	330kΩ 1/16W J
R1216	NRSA63J-563X	MG R	56kΩ 1/16W J
R1218	NRSA63J-182X	MG R	1.8kΩ 1/16W J
R1219	NRSA63J-122X	MG R	1.2kΩ 1/16W J
R1251	NRSA63J-750X	MG R	75Ω 1/16W J
R1255	NRSA63J-750X	MG R	75Ω 1/16W J
R1264	NRSA63J-222X	MG R	2.2kΩ 1/16W J
R1265	NRSA02J-0ROX	MG R	0.0Ω 1/10W J
R1266	NRSA02J-152X	MG R	1.5kΩ 1/10W J
R1267	NRSA02J-0ROX	MG R	0.0Ω 1/10W J
R1271	NRSA02J-102X	MG R	1kΩ 1/10W J
R1272	NRSA02J-102X	MG R	1kΩ 1/10W J
R1278	NRSA02J-152X	MG R	1.5kΩ 1/10W J
R1290	NRSA63J-563X	MG R	56kΩ 1/16W J
R1291	NRSA63J-473X	MG R	47kΩ 1/16W J
R1298-99	NRSA63J-0ROX	MG R	0.0Ω 1/16W J
R1305	NRSA02J-393X	MG R	39kΩ 1/10W J
R1306	NRSA02J-183X	MG R	18kΩ 1/10W J
R1351	NRSA02J-152X	MG R	1.5kΩ 1/10W J
R1352	NRSA02J-102X	MG R	1kΩ 1/10W J
R1354	NRSA02J-272X	MG R	2.7kΩ 1/10W J
R1365	NRSA02J-152X	MG R	1.5kΩ 1/10W J
R1366	NRSA02J-563X	MG R	56kΩ 1/10W J
R1367	NRSA02J-333X	MG R	33kΩ 1/10W J
R1371-73	NRSA02J-151X	MG R	150Ω 1/10W J
R1374-76	NRSA02J-331X	MG R	330Ω 1/10W J
R1377-79	NRSA02J-101X	MG R	100Ω 1/10W J
R1380-82	QRZ0111-152	C R	1.5kΩ 1/2W K
R1383-85	QRL029J-123	OM R	12kΩ 2W J
R1386-88	NRSA02J-272X	MG R	2.7kΩ 1/10W J
R1421	NRSA02J-472X	MG R	4.7kΩ 1/10W J
R1422	QRE121J-391Y	C R	390Ω 1/2W J
R1423	QRX01GJ-1R5	MF R	1.5Ω 1W J
R1425	NRSA02J-683X	MG R	68kΩ 1/10W J

△ Symbol No.	Part No.	Part Name	Description
RESISTOR			
R1427	NRSA02J-392X	MG R	3.9kΩ 1/10W J
R1428	NRSA02J-393X	MG R	39kΩ 1/10W J
R1429	NRSA02J-223X	MG R	22kΩ 1/10W J
R1430-31	NRSA02J-0ROX	MG R	0.0Ω 1/10W J
R1441	QRE121J-102Y	C R	1kΩ 1/2W J
R1501	NRSA63J-361X	CHIP R	360kΩ 1/16W J
R1502	NRSA02J-152X	MG R	1.5kΩ 1/10W J
R1504	NRSA02J-0ROX	MG R	0.0Ω 1/10W J
R1505	NRSA02J-822X	MG R	8.2kΩ 1/10W J
R1506	NRSA02J-222X	MG R	2.2kΩ 1/10W J
R1507	NRSA02J-563X	MG R	56kΩ 1/10W J
R1511	QRE121J-391Y	C R	390Ω 1/2W J
R1521	QRE121J-220Y	C R	22Ω 1/2W J
R1522	NRSA02J-391X	MG R	390Ω 1/10W J
R1523	NRSA02J-471X	MG R	470Ω 1/10W J
R1524	QRE121J-271Y	C R	270Ω 1/2W J
R1525	QRL029J-121	OM R	120Ω 2W J
R1526	QRL039J-152	OM R	1.5kΩ 3W J
R1541	QRT029J-1R8	MF R	1.8Ω 2W J
R1542	QRL029J-101	OM R	100Ω 2W J
R1543	QRT039J-1R0	MF R	1.0Ω 3W J
R1544	QRT039J-2R2	MF R	2.2Ω 3W J
R1546	QRL029J-220	OM R	22Ω 2W J
R1561	QRK126J-4R7X	C R	4.7Ω 1/2W J
△ R1562	NRZ0032-7151X	MF R	7.15kΩ 1/10W±0.5%
△ R1563	NRZ0032-3241X	MF R	3.24kΩ 1/10W±0.5%
R1564	NRSA02J-153X	MG R	15kΩ 1/10W J
R1565	NRSA02J-0ROX	MG R	0.0Ω 1/10W J
R1566	NRSA02J-333X	MG R	33kΩ 1/10W J
R1567	NRSA02J-392X	MG R	3.9kΩ 1/10W J
R1568	NRSA02J-223X	MG R	22kΩ 1/10W J
R1571	QRX01GJ-1R2	MF R	1.2Ω 1W J
R1581	QRJ146J-2R2X	C R	2.2Ω 1/4W J
R1582	QRL029J-223	OM R	22kΩ 2W J
R1583	QRE121J-333Y	C R	33kΩ 1/2W J
R1584	QRE121J-393Y	C R	39kΩ 1/2W J
R1585	QRE121J-103Y	C R	10kΩ 1/2W J
R1586	QRE121J-472Y	C R	4.7kΩ 1/2W J
R1615-16	NRSA02J-123X	MG R	12kΩ 1/10W J
R1617-18	NRSA02J-332X	MG R	3.3kΩ 1/10W J
R1619-20	NRSA02J-561X	MG R	560Ω 1/10W J
R1621	QRE121J-4R7Y	C R	4.7Ω 1/2W J
R1622	QRE121J-4R7Y	C R	4.7Ω 1/2W J
R1623	NRSA02J-0ROX	MG R	0.0Ω 1/10W J
R1625	NRSA02J-333X	MG R	33kΩ 1/10W J
R1627	NRSA02J-101X	MG R	100Ω 1/10W J
R1628-29	QRE121J-271Y	C R	270Ω 1/2W J
R1651	NRSA02J-102X	MG R	1kΩ 1/10W J
R1652-53	NRSA02J-682X	MG R	6.8kΩ 1/10W J
R1654	NRSA02J-333X	MG R	33kΩ 1/10W J
R1655	NRSA02J-332X	MG R	3.3kΩ 1/10W J
R1656	NRVA02D-152X	MF R	1.5kΩ 1/10W D
R1658	NRVA02D-153X	MF R	15kΩ 1/10W D
R1660	NRSA02J-512X	MG R	5.1kΩ 1/10W J
R1661	NRSA02J-473X	MG R	47kΩ 1/10W J
R1662-65	NRSA02J-123X	MG R	12kΩ 1/10W J
R1666-67	NRSA02J-562X	MG R	5.6kΩ 1/10W J
R1668	NRSA02J-473X	MG R	47kΩ 1/10W J
R1669-70	NRSA02J-471X	MG R	470Ω 1/10W J
R1671	NRSA02J-102X	MG R	1kΩ 1/10W J
R1672	NRSA02J-102X	MG R	1kΩ 1/10W J
R1673-74	NRSA02J-823X	MG R	82kΩ 1/10W J
R1675-76	NRSA02J-181X	MG R	180Ω 1/10W J
R1677	NRSA02J-0ROX	MG R	0.0Ω 1/10W J
R1678	NRSA02J-223X	MG R	22kΩ 1/10W J
R1679	NRSA02J-223X	MG R	22kΩ 1/10W J

△ Symbol No.	Part No.	Part Name	Description
RESISTOR			
R1680	NRSA02J-223X	MG R	22kΩ 1/10W J
R1681	NRSA02J-223X	MG R	22kΩ 1/10W J
R1682	NRSA02J-683X	MG R	68kΩ 1/10W J
R1683-84	NRSA02J-561X	MG R	560Ω 1/10W J
R1685-86	NRSA02J-080X	MG R	0.0Ω 1/10W J
R1687	NRSA02J-102X	MG R	1kΩ 1/10W J
R1688	NRSA02J-102X	MG R	1kΩ 1/10W J
R1691	NRSA02J-563X	MG R	56kΩ 1/10W J
R1701	NRSA02J-563X	MG R	56kΩ 1/10W J
R1702	NRSA02J-103X	MG R	10kΩ 1/10W J
R1703	NRSA02J-080X	MG R	0.0Ω 1/10W J
R1704	NRSA02J-103X	MG R	10kΩ 1/10W J
R1705	NRSA02J-823X	MG R	82kΩ 1/10W J
R1706	NRSA02J-103X	MG R	10kΩ 1/10W J
R1707	NRSA02J-080X	MG R	0.0Ω 1/10W J
R1708-09	NRSA02J-103X	MG R	10kΩ 1/10W J
R1710	NRSA02J-102X	MG R	1kΩ 1/10W J
R1712	NRSA02J-080X	MG R	0.0Ω 1/10W J
R1713	NRSA02J-102X	MG R	1kΩ 1/10W J
R1714	NRSA02J-471X	MG R	470Ω 1/10W J
R1715	NRSA02J-105X	MG R	1MΩ 1/10W J
R1716	NRSA02J-154X	MG R	150kΩ 1/10W J
R1717	NRSA02J-563X	MG R	56kΩ 1/10W J
R1719	NRSA02J-102X	MG R	1kΩ 1/10W J
R1721-22	NRSA02J-080X	MG R	0.0Ω 1/10W J
R1723	NRSA02J-105X	MG R	1MΩ 1/10W J
R1724	NRSA02J-102X	MG R	1kΩ 1/10W J
R1725	NRSA02J-103X	MG R	10kΩ 1/10W J
R1726	NRSA02J-392X	MG R	3.9kΩ 1/10W J
R1727	NRSA02J-103X	MG R	10kΩ 1/10W J
R1728	NRSA02J-392X	MG R	3.9kΩ 1/10W J
R1729	NRSA02J-153X	MG R	15kΩ 1/10W J
R1730	NRSA02J-682X	MG R	6.8kΩ 1/10W J
R1731	NRSA02J-080X	MG R	0.0Ω 1/10W J
R1732	NRSA02J-102X	MG R	1kΩ 1/10W J
R1734	NRSA02J-182X	MG R	1.8kΩ 1/10W J
R1735	NRSA02J-102X	MG R	1kΩ 1/10W J
R1736	NRSA02J-332X	MG R	3.3kΩ 1/10W J
R1737	NRSA02J-472X	MG R	4.7kΩ 1/10W J
R1738	NRSA02J-152X	MG R	1.5kΩ 1/10W J
R1739	NRSA02J-472X	MG R	4.7kΩ 1/10W J
R1740	NRSA02J-152X	MG R	1.5kΩ 1/10W J
R1741	NRSA02J-472X	MG R	4.7kΩ 1/10W J
R1742	NRSA02J-152X	MG R	1.5kΩ 1/10W J
R1743-44	NRSA02J-080X	MG R	0.0Ω 1/10W J
R1745-46	NRSA02J-561X	MG R	560Ω 1/10W J
R1747	NRSA02J-080X	MG R	0.0Ω 1/10W J
R1751	NRSA02J-103X	MG R	10kΩ 1/10W J
R1752	NRSA02J-472X	MG R	4.7kΩ 1/10W J
R1753	NRSA02J-153X	MG R	15kΩ 1/10W J
R1754	NRSA02J-103X	MG R	10kΩ 1/10W J
R1755	NRSA02J-472X	MG R	4.7kΩ 1/10W J
R1756	NRSA02J-153X	MG R	15kΩ 1/10W J
R1757-58	NRSA02J-122X	MG R	1.2kΩ 1/10W J
R1759	NRSA02J-080X	MG R	0.0Ω 1/10W J
R1765-66	NRSA02J-080X	MG R	0.0Ω 1/10W J
R1767	NRSA02J-474X	MG R	470kΩ 1/10W J
R1768	NRSA02J-473X	MG R	47kΩ 1/10W J
R1769	NRSA02J-102X	MG R	1kΩ 1/10W J
R1771	NRSA02J-080X	MG R	0.0Ω 1/10W J
R1804-06	NRSA02J-101X	MG R	100Ω 1/10W J
△ R1901	QRF054K-1R0	UNF R	1.0Ω 5W K
△ R1921	QRX029J-2R7	MF R	2.7Ω 2W J
R1923	QRJ146J-470X	C R	47Ω 1/4W J
R1924	QRN141J-334Y	C R	330kΩ 1/4W J
R1925	QRN141J-123Y	C R	12kΩ 1/4W J
△ R1926	QRF154J-271	UNF R	270 Ω 15W J
R1952	NRSA02J-222X	MG R	2.2kΩ 1/10W J
R1953	NRSA02J-122X	MG R	1.2kΩ 1/10W J
R1954	QRE121J-102Y	C R	1kΩ 1/2W J

△ Symbol No.	Part No.	Part Name	Description
RESISTOR			
R1955	NRSA02J-223X	MG R	22kΩ 1/10W J
R1956	QRE121J-101Y	C R	100Ω 1/2W J
R1957	NRSA02J-222X	MG R	2.2kΩ 1/10W J
R1958	NRSA02J-103X	MG R	10kΩ 1/10W J
△ R1981	QRZ9041-275	C R	2.7MΩ 1/2W K
CAPACITOR			
C1001	QETN1HM-106Z	E CAP.	10μF 50V M
C1003	QETN1AM-477Z	E CAP.	470μF 10V M
C1004	QETN1HM-106Z	E CAP.	10μF 50V M
C1005	NCB31HK-103X	C CAP.	0.01μF 50V K
C1006	QETN1EM-476Z	E CAP.	47μF 25V M
C1011-12	NCB31HK-102X	C CAP.	1000pF 50V K
C1013	NCB31HK-104X	CHIP CAP.	0.1μF 50V K
C1101-04	NCB31HK-103X	C CAP.	0.01μF 50V K
C1105	QETN1CM-107Z	E CAP.	100μF 16V M
C1106	NCB31HK-103X	C CAP.	0.01μF 50V K
C1107	NRSA63J-080X	MG R	0.0Ω 1/16W J
C1108	NDC31HJ-680X	C CAP.	68pF 50V J
C1131	QFV71HJ-154Z	MF CAP.	0.15μF 50V J
C1132	NCB31HK-152X	CHIP CAP.	1500pF 50V K
C1133	QETN1HM-474Z	E CAP.	0.47μF 50V M
C1134	NCB31HK-472X	C CAP.	4700pF 50V K
C1135	NCB31HK-103X	C CAP.	0.01μF 50V K
C1138	QETN1EM-476Z	E CAP.	47μF 25V M
C1161	QETN1CM-107Z	E CAP.	100μF 16V M
C1162	NCB31HK-103X	C CAP.	0.01μF 50V K
C1163-64	NDC31HJ-470X	C CAP.	47pF 50V J
C1166	NCB31HK-103X	C CAP.	0.01μF 50V K
C1167	NDC31HJ-470X	C CAP.	47pF 50V J
C1169-70	NCB31HK-103X	C CAP.	0.01μF 50V K
C1207	QETN1HM-474Z	E CAP.	0.47μF 50V M
C1208	QETN1HM-106Z	E CAP.	10μF 50V M
C1209-10	QETN1HM-105Z	E CAP.	1μF 50V M
C1212	NCB21HK-104X	CHIP CAP.	0.1μF 50V K
C1214	QETN1HM-106Z	E CAP.	10μF 50V M
C1215	QETN1HM-105Z	E CAP.	1μF 50V M
C1217	QETN1EM-476Z	E CAP.	47μF 25V M
C1252	QETN1HM-106Z	E CAP.	10μF 50V M
C1254-55	QETN1HM-106Z	E CAP.	10μF 50V M
C1274	QETN1HM-105Z	E CAP.	1μF 50V M
C1303	NCB21HK-103X	C CAP.	0.01μF 50V K
C1304	QETN1CM-107Z	E CAP.	100μF 16V M
C1305	NDC21HJ-100X	C CAP.	10pF 50V J
C1306	NCB21HK-223X	C CAP.	0.022μF 50V K
C1307	QETN1HM-474Z	E CAP.	0.47μF 50V M
C1309	NDC21HJ-2R0X	C CAP.	2.0pF 50V J
C1352	NDC21HJ-680X	C CAP.	68pF 50V J
C1353	NRSA02J-080X	MG R	0.0Ω 1/10W J
C1355	NDC21HJ-150X	C CAP.	15pF 50V J
C1356	NCB21HK-103X	C CAP.	0.01μF 50V K
C1374-75	NCS21HJ-271X	C CAP.	270pF 50V J
C1376	NCS21HJ-331X	C CAP.	330pF 50V J
C1377	QETN1CM-107Z	E CAP.	100μF 16V M
C1391	QETM2EM-336	E CAP.	33μF 250V M
△ C1392	QCZ0121-102	C CAP.	1000pF 3kV Z
C1401	QETN1HM-225Z	E CAP.	2.2μF 50V M
C1402	QBHC1CK-225Z	TAN. CAP.	2.2μF 16V K
C1403	NCB21HK-102X	C CAP.	1000pF 50V K
C1421	NCB21HK-103X	C CAP.	0.01μF 50V K
C1422	QCS32HJ-560Z	C CAP.	56pF 500V J
C1423	QCS32HJ-180Z	C CAP.	18pF 500V J
C1424	QETN1VM-107Z	E CAP.	100μF 35V M
C1425	QETN1VM-477Z	E CAP.	470μF 35V M
C1426	QFLC2AK-104Z	M CAP.	0.1μF 100V K
C1427	QETM1EM-228	E CAP.	2200μF 25V M
C1428	QFV21HJ-474Z	MF CAP.	0.47μF 50V J
C1429	QFV21HJ-224Z	MF CAP.	0.22μF 50V J
C1501	QETN1CM-107Z	E CAP.	100μF 16V M
C1502	QETN1HM-106Z	E CAP.	10μF 50V M
C1503	NCB21HK-103X	C CAP.	0.01μF 50V K

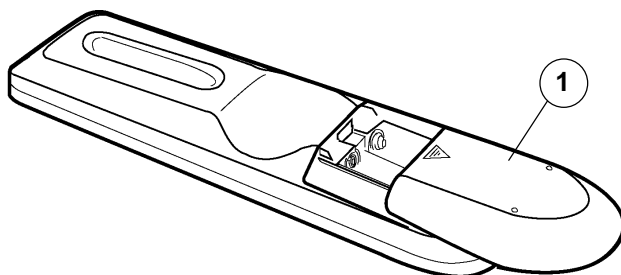
△ Symbol No.	Part No.	Part Name	Description
CAPACITOR			
C1505	QETN1HM-106Z	E CAP.	10μF 50V M
C1511	QETN1EM-476Z	E CAP.	47μF 25V M
C1521	NCB21HK-332X	C CAP.	3300pF 50V K
C1522	NCB21HK-822X	C CAP.	8200pF 50V K
C1523	QEM61HK-105Z	E CAP.	1μF 50V K
△ C1524	QFZ0198-79Z	MPP CAP.	7900pF1.5KVH±3%
△ C1525	QEZ0203-107	E CAP.	100μF 160V M
△ C1526	QFZ0119-534	MPP CAP.	0.53μF 200V ±3%
C1543	QETN1VM-477Z	E CAP.	470μF 35V M
C1545	QETN1CM-227Z	E CAP.	220μF 16V M
C1546	QETN1CM-477Z	E CAP.	470μF 16V M
C1548	QETN1CM-227Z	E CAP.	220μF 16V M
△ C1561	QETN1HM-106Z	E CAP.	10μF 50V M
C1562	QETN1HM-475Z	E CAP.	4.7μF 50V M
C1563	NCB21HK-103X	C CAP.	0.01μF 50V K
△ C1581	QETN2EM-106Z	E CAP.	10μF 250V M
C1582	NCB21HK-473X	C CAP.	0.047μF 50V K
C1583	QETN1HM-106Z	E CAP.	10μF 50V M
C1584	QFLC2AJ-104Z	M CAP.	0.1μF 100V J
C1614	QETN1EM-108Z	E CAP.	1000μF 25V M
C1615	NRSA02J-0R0X	MG R	0.0Ω 1/10W J
C1616	QENC1HM-474Z	BP E CAP.	0.47μF 50V M
C1617	QETN1EM-476Z	E CAP.	47μF 25V M
C1618	QETN1CM-107Z	E CAP.	100μF 16V M
C1619	QETN1CM-477Z	E CAP.	470μF 16V M
C1620	NCB21HK-104X	CHIP CAP.	0.1μF 50V K
C1621	NRSA02J-0R0X	MG R	0.0Ω 1/10W J
C1622	QENC1HM-474Z	BP E CAP.	0.47μF 50V M
C1623	QETN1EM-476Z	E CAP.	47μF 25V M
C1624	QETN1CM-107Z	E CAP.	100μF 16V M
C1625	QETN1CM-477Z	E CAP.	470μF 16V M
C1626	NCB21HK-104X	CHIP CAP.	0.1μF 50V K
C1627	QETN1CM-477Z	E CAP.	470μF 16V M
C1651	NCB21HK-103X	C CAP.	0.01μF 50V K
C1652	QETN1CM-107Z	E CAP.	100μF 16V M
C1653	QETN1EM-476Z	E CAP.	47μF 25V M
C1654	NCB21HK-104X	CHIP CAP.	0.1μF 50V K
C1655	QENC1HM-475Z	BP E CAP.	4.7μF 50V M
C1656	QENC1HM-105Z	BP E CAP.	1μF 50V M
C1657	QETN1HM-225Z	E CAP.	2.2μF 50V M
C1658	NCB21HK-473X	C CAP.	0.047μF 50V K
C1659	QETN1HM-474Z	E CAP.	0.47μF 50V M
C1660-61	NCB21HK-104X	CHIP CAP.	0.1μF 50V K
C1662	QBTC1CK-335Z	TAN. CAP.	3.3μF 16V K
C1663	QETN1HM-105Z	E CAP.	1μF 50V M
C1664	QBTC1CK-106Z	TAN. CAP.	10μF 16V K
C1665-66	QETN1HM-105Z	E CAP.	1μF 50V M
C1667	QETN1HM-336Z	E CAP.	33μF 50V M
C1668	QETN1HM-105Z	E CAP.	1μF 50V M
C1669-70	QENC1HM-105Z	BP E CAP.	1μF 50V M
C1671	QETN1HM-225Z	E CAP.	2.2μF 50V M
C1672	NCB21HK-222X	C CAP.	2200pF 50V K
C1673	NCB21HK-104X	CHIP CAP.	0.1μF 50V K
C1674	QETN1HM-225Z	E CAP.	2.2μF 50V M
C1675	NCB21HK-222X	C CAP.	2200pF 50V K
C1676	NCB21HK-104X	CHIP CAP.	0.1μF 50V K
C1679	QETN1HM-105Z	E CAP.	1μF 50V M
C1680	QETN1EM-476Z	E CAP.	47μF 25V M
C1682-83	QETN1HM-474Z	E CAP.	0.47μF 50V M
C1685-86	QETN1HM-106Z	E CAP.	10μF 50V M
C1687-88	NCB21HK-472X	C CAP.	4700pF 50V K
C1689-90	QETN1HM-106Z	E CAP.	10μF 50V M
C1702	NCB21HK-272X	C CAP.	2700pF 50V K
C1704	NCB21HK-103X	C CAP.	0.01μF 50V K
C1705	NDC21HJ-151X	C CAP.	150pF 50V J
C1706	NCB21HK-104X	CHIP CAP.	0.1μF 50V K
C1707	QETN1HM-105Z	E CAP.	1μF 50V M
C1708	NCS21HJ-221X	C CAP.	220pF 50V J
C1709	NCS21HJ-102X	C CAP.	1000pF 50V J
C1710	NDC21HJ-681X	C CAP.	680pF 50V J
C1711	QETN1HM-474Z	E CAP.	0.47μF 50V M
C1712	NCB21HK-102X	C CAP.	1000pF 50V K

△ Symbol No.	Part No.	Part Name	Description
CAPACITOR			
C1714	NCB21HK-103X	C CAP.	0.01μF 50V K
C1716	QETN1EM-476Z	E CAP.	47μF 25V M
C1717	NCB21HK-104X	CHIP CAP.	0.1μF 50V K
C1718	NCB21HK-103X	C CAP.	0.01μF 50V K
C1719-20	QETN1CM-107Z	E CAP.	100μF 16V M
C1721	NCB21HK-104X	CHIP CAP.	0.1μF 50V K
C1722-23	NDC21HJ-5R0X	C CAP.	5.0pF 50V J
C1724	NCB21HK-103X	C CAP.	0.01μF 50V K
C1725	QETN1AM-227Z	E CAP.	220μF 10V M
C1726	NDC21HJ-470X	C CAP.	47pF 50V J
C1735	NCB21HK-103X	C CAP.	0.01μF 50V K
C1751	QETN1EM-476Z	E CAP.	47μF 25V M
C1801-03	QENC1HM-474Z	BP E CAP.	0.47μF 50V M
△ C1901	QFZ9040-104	MF CAP.	0.1μF AC275V M
△ C1902	QFZ9040-473	MF CAP.	0.047μF AC275V M
△ C1911	QCZ9074-472	C CAP.	4700pFAC250V M
△ C1912	QCZ9074-472	C CAP.	4700pFAC250V M
△ C1913	QCZ9074-472	C CAP.	4700pFAC250V M
△ C1914	QEZ0169-337	E CAP.	330μF 200V M
C1921	QEHQ2CM-335Z	E CAP.	3.3μF 160V M
C1922	QEHQ2CM-336	E CAP.	33μF 160V M
C1951	QETN1EM-227Z	E CAP.	220μF 25V M
C1953	QETN1EM-107Z	E CAP.	100μF 25V M
C1954	NCB21HK-473X	C CAP.	0.047μF 50V K
C1956	QETN1HM-106Z	E CAP.	10μF 50V M
C1958	QETN1EM-107Z	E CAP.	100μF 25V M
C1959	QETN1HM-226Z	E CAP.	22μF 50V M
△ C1981	QCZ9073-332	C CAP.	3300pFAC250V M
TRANSFORMER			
T1131	QQR0907-001	I. F. TRANSFORMER	
T1161	CELTO03-109J3	S. I. F. TRANSF.	
△ T1521	CE41106-00CJ1	DRIVE TRANSF.	
△ T1522	QQH0030-002	H. V. TRANSF.	
△ T1901	QQT0198-001	POWER TRANSF.	
COIL			
L1003	QQL03BJ-5R6Z	COIL	5.6μH J
L1102	QQLZ014-R22	PEAKING COIL	
L1104	QQL03BJ-680Z	COIL	68μH J
L1131	QQL03BJ-220Z	COIL	22μH J
L1161	QQL03BJ-680Z	COIL	68μH J
L1162	QQL03BJ-390Z	COIL	39μH J
L1351	QQL03BJ-220Z	COIL	22μH J
L1391	QQL03BJ-390Z	COIL	39μH J
L1701	QQL03BJ-4R7Z	COIL	4.7μH J
L1709	QQL03BJ-100Z	COIL	10μH J
DIODE			
D1001	MTZJ33B-T2	ZENER DIODE	
D1003-04	MTZJ9.1C-T2	ZENER DIODE	
D1201	1SS133-T2	SI. DIODE	
D1202	1SS133-T2	SI. DIODE	
D1203	1SS133-T2	SI. DIODE	
D1251-52	MTZJ9.1C-T2	ZENER DIODE	
D1254	MTZJ9.1C-T2	ZENER DIODE	
D1421	1N4003-T2	SI. DIODE	
D1422	MTZJ75-T2	ZENER DIODE	
D1423	1SS133-T2	SI. DIODE	
D1501	MTZJ9.1C-T2	ZENER DIODE	
D1511	MTZJ3.3A-T2	ZENER DIODE	
D1541	RGP10J-5025-T3	SI. DIODE	
D1542	1SR35-400A-T2	SI. DIODE	
D1543	RGP10J-5025-T3	SI. DIODE	
D1544	RGP10J-5025-T3	SI. DIODE	
D1561	1SS81-T2	SI. DIODE	
△ D1562	MA4068N/Z1/-T2	ZENER DIODE	
D1563	1SS133-T2	SI. DIODE	
△ D1581	RH15-T3	SI. DIODE	
D1582	RGP10J-5025-T3	SI. DIODE	
D1583	MTZJ9.1C-T2	ZENER DIODE	

Symbol No.	Part No.	Part Name	Description
DIODE			
D1601	1SS133-T2	SI. DIODE	
D1602	1SS133-T2	SI. DIODE	
D1651-52	MTZJ9.1C-T2	ZENER DIODE	
D1656-57	MTZJ9.1C-T2	ZENER DIODE	
D1659-60	MTZJ9.1C-T2	ZENER DIODE	
D1703	MTZJ5.6A-T2	ZENER DIODE	
D1704	1SS133-T2	SI. DIODE	
D1705	1SS133-T2	SI. DIODE	
D1706	1SS133-T2	SI. DIODE	
D1707	1SS133-T2	SI. DIODE	
D1711	1SS133-T2	SI. DIODE	
D1717-18	MTZJ9.1C-T2	ZENER DIODE	
D1751	SLR-342VR3F	L. E. D.	
D1804	MTZJ5.1B-T2	ZENER DIODE	
D1805	1SS133-T2	SI. DIODE	
△ D1911	D3SB60	BRIDGE DIODE	
D1941-44	1SR35-400A-T2	SI. DIODE	
D1951	MTZJ12C-T2	ZENER DIODE	
D1953	1SR35-400A-T2	SI. DIODE	
D1957	1SS133-T2	SI. DIODE	
D1958	1SS133-T2	SI. DIODE	
TRANSISTOR			
Q1101	2SC5083/L-P/-T	SI. TRANSISTOR	
Q1131-32	2SC2412K/QR/-X	SI. TRANSISTOR	
Q1161	2SC2412K/QR/-X	SI. TRANSISTOR	
Q1202-03	2SC2412K/QR/-X	SI. TRANSISTOR	
Q1261	2SC2412K/QR/-X	SI. TRANSISTOR	
Q1271	2SC2412K/QR/-X	SI. TRANSISTOR	
Q1361	2SC2412K/QR/-X	SI. TRANSISTOR	
Q1371-73	2SC4544-LB	SI. TRANSISTOR	
△ Q1521	2SC2655/Y/-T	SI. TRANSISTOR	H. OUT
Q1522	2SD1878-YD	SI. TRANSISTOR	
Q1561	2SC2785/JH/-T	SI. TRANSISTOR	
Q1562	2SA933AS/QR/-T	SI. TRANSISTOR	
Q1602	DTC323TK-X	DIGI. TRANSISTOR	
Q1651-54	2SC2412K/QR/-X	SI. TRANSISTOR	
Q1655	2SA1037AK/QR/-X	SI. TRANSISTOR	
Q1701-03	2SC2412K/QR/-X	SI. TRANSISTOR	
Q1704	DTC323TK-X	DIGI. TRANSISTOR	
Q1951	2SC2412K/QR/-X	SI. TRANSISTOR	
Q1952	2SA966/OY/-T	SI. TRANSISTOR	
Q1953	2SC2412K/QR/-X	SI. TRANSISTOR	
IC			
IC1001	AN7805F	I. C. (MONO-ANA)	
IC1201	TA1242N	I. C. (MONO-ANA)	
IC1251	BA7612N	I. C. (MONO-ANA)	
△ IC1421	LA7830	I. C. (MONO-ANA)	
IC1541	AN7809F	I. C. (MONO-ANA)	
△ IC1602	LA4446	I. C. (MONO-ANA)	
IC1651	UPC1851BCU	I. C. (MONO-ANA)	
IC1652	BA15218N	I. C. (MONO-ANA)	
IC1701	M37272MA-3135P	I. C. (MICRO-COMP)	
IC1702	AT24C02-20220S	I. C.	(SERVICE)
IC1703	L78LRO5E-MA	I. C. (MONO-ANA)	
IC1751	GP1U281Q	IFR DETECT UNIT	
△ IC1921	STR30134	I. C. (H)	
IC1951	TA78L009AP-T	I. C. (MONO-ANA)	
OTHERS			
CF1001	LC30190-001B-A	L. E. D. HOLDER	
CF1131	QAX0349-001	CERAMIC FILTER	
CF1161	CE41505-001	CERAMIC FILTER	
	SFSH4.5MCB	CERAMIC FILTER	
CF1501	CSB503F30-T2	CER. RESONATOR	
CF1701	CST8.00MTW	CER. RESONATOR	
CF1702	QAX0428-001	CER. RESONATOR	
CL1001	QZWO028-002	WIRE CLAMP	
CL1002	QZWO028-001	WIRE CLAMP	
△ CN10PW	QMPD200-200-JC	POWER CORD	
△ F1901	QMF0007-6R3J1	FUSE	6.3A
△ F1902	QMF0007-1R25J1	FUSE	1.25A

Symbol No.	Part No.	Part Name	Description
OTHERS			
FC1901	CEMG002-001Z	FUSE CLIP	(x2)
FC1902	CEMG002-001Z	FUSE CLIP	(x4)
△ FR1720	QRZ9017-820	F. R.	82 Ω 1/4W J
J1003	QNN0349-001	PIN JACK	
J1004	QNN0348-001	PIN JACK	
J1005	QNN0281-003	PIN JACK	
J1006	QNN0281-002	PIN JACK	
J1007	QNN0282-001	PIN JACK	
J1602	QNS0155-001	JACK	
K1701	QQR0582-001Z	BEADS CORE	
△ LF1901	QQR0864-002	LINE FILTER	
△ RY1901	QSK0083-001	RELAY	
S1751	QSW0619-003Z	PUSH SWITCH	MENU
S1752	QSW0619-003Z	PUSH SWITCH	CH-
S1753	QSW0619-003Z	PUSH SWITCH	CH+
S1754	QSW0619-003Z	PUSH SWITCH	VOL-
S1755	QSW0619-003Z	PUSH SWITCH	VOL+
△ S1756	QSW0619-003Z	PUSH SWITCH	POWER
SF1101	CE42589-201	SAW FILTER	
△ SK1371	CE42535-001J1	C. R. T. SOCKET	
△ TH1901	CEK0007-002	P. THERMISTOR	
△ TU1001	QAU0199-001	TUNER	
△ VA1901	ERZV10V361CS	VARISTOR	
X1301	QAX0310-001Z	CRYSTAL	

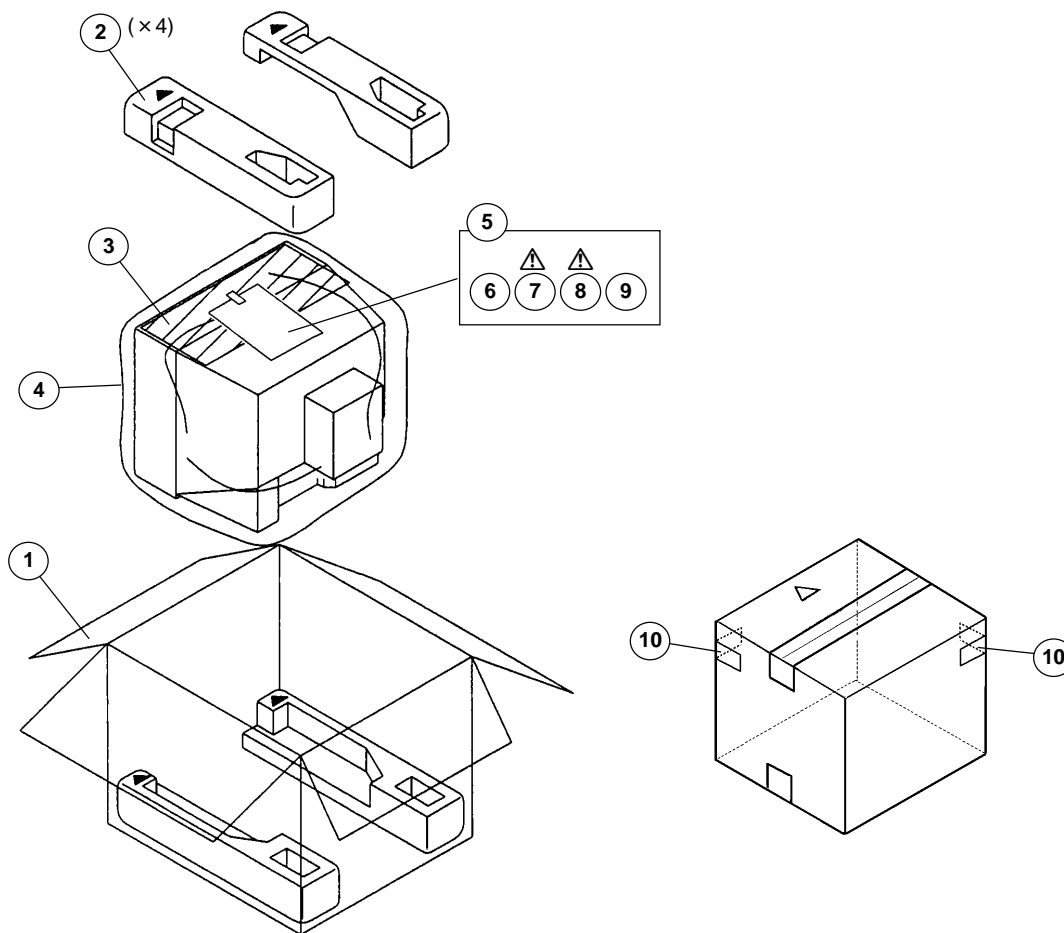
REMOTE CONTROL UNIT PARTS LIST (RM-C307-1A)



AV-N21202/s

△ Ref.No.	Part No.	Part Name.	Description
1	UR52EC1286A	BATTERY COVER	(RM-C307-1A)

PACKING



PACKING PARTS LIST

△ Ref.No.	Part No.	Part Name	Description
1	GQ10009-011A-A	P.CASE ASSY	
2	GQ10021-001A-A	CUSHION ASSY	4pcs in 1set
3	CP30055-001-A	TOP COVER	
4	CP30056-009-A	POLY BAG	
5	QPA02503505	POLY BAG	
6	RM-C307-1A	REMOCON UNIT	
△ 7	LCT1015-001A-A	INST BOOK	
△ 8	CM36042-00A-H	ROD ANTENNA	
9	CE42024-00BJ1	MATCHING BOX	
10	CM36616-001-A	CORNER LABEL	2pcs in 1set

Memo

Memo
